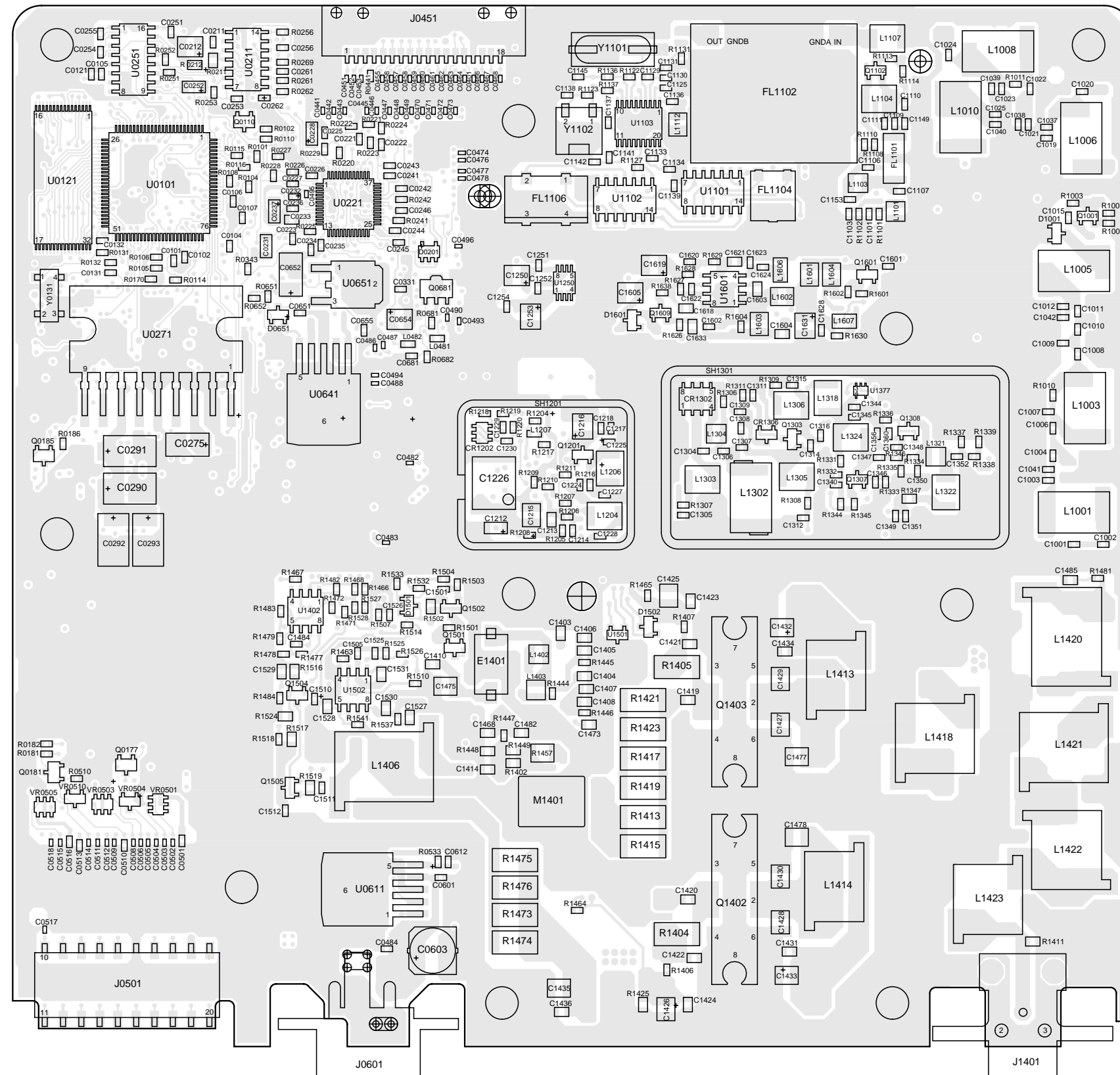
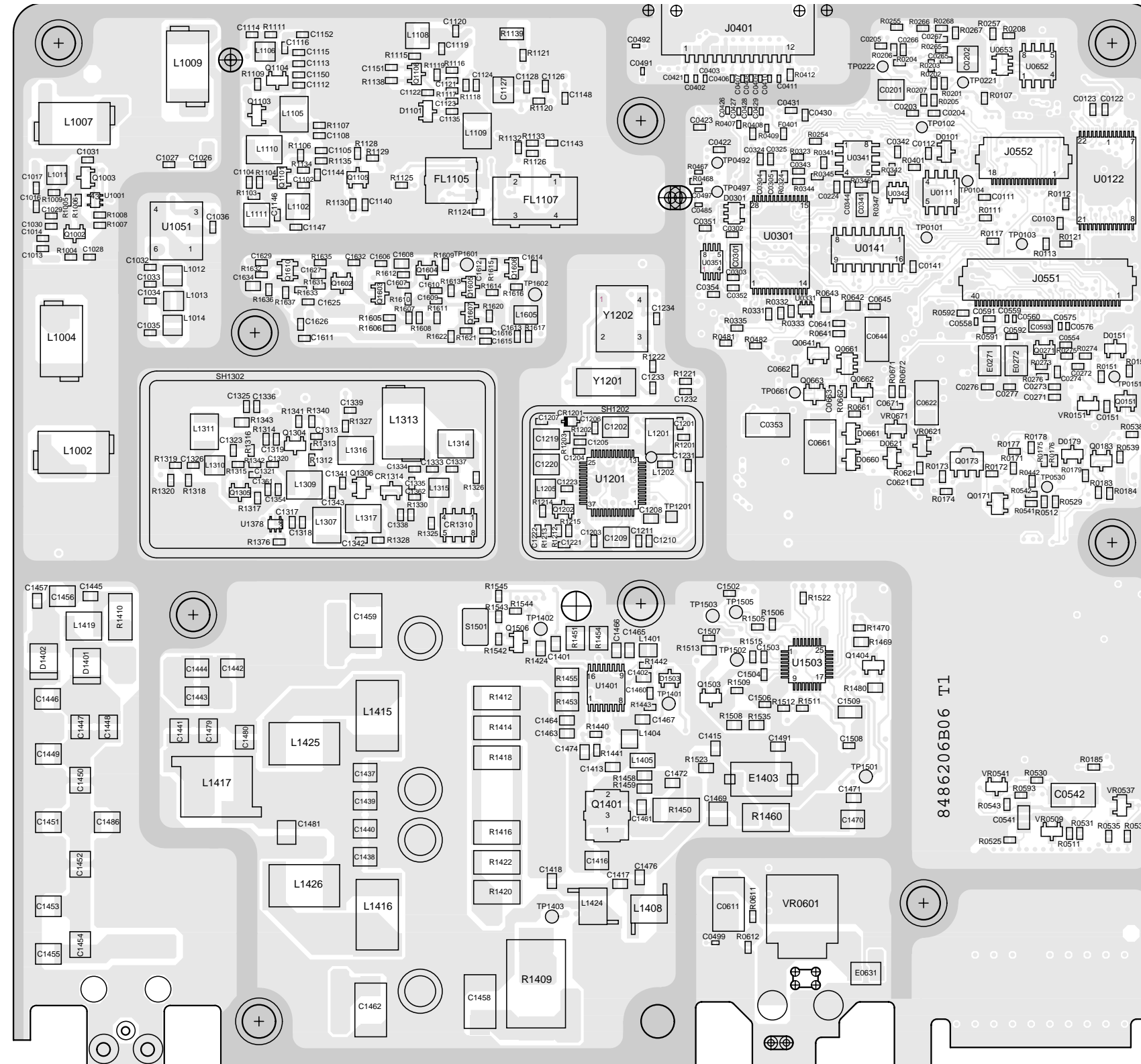


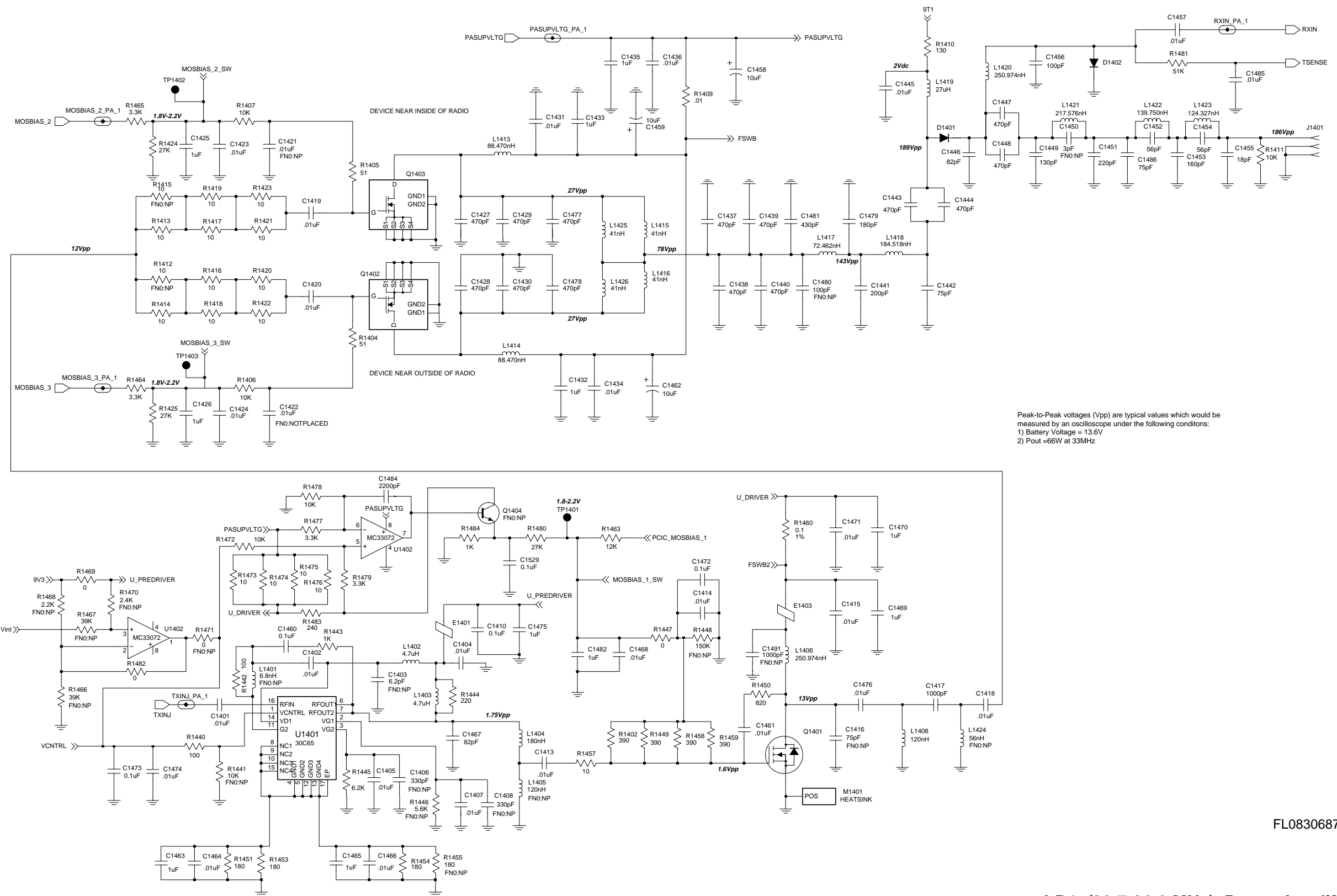
## 2.0 LB Range1, 25-60W PCB 8486206B06 / Schematics



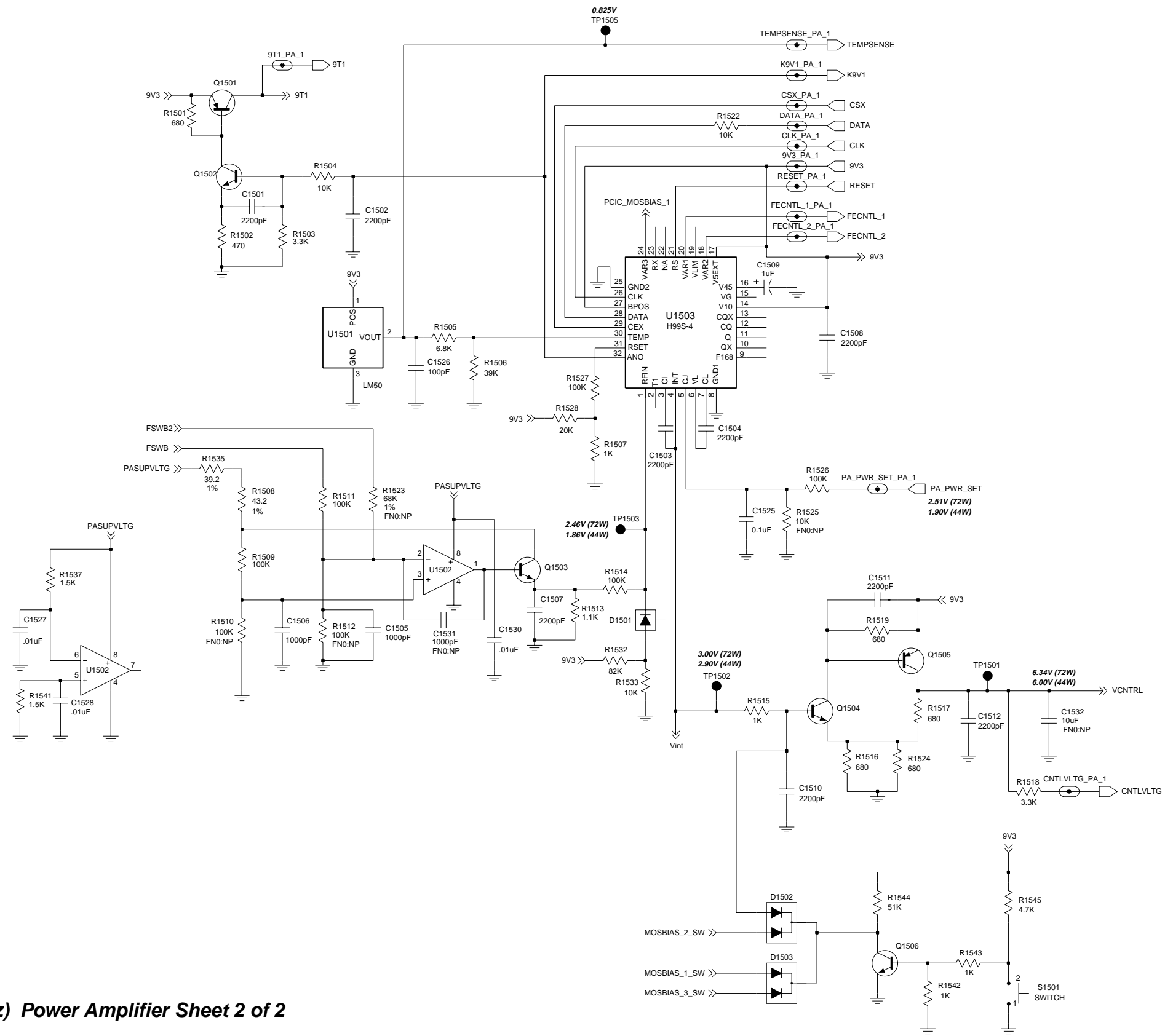
ZWG0130593-O  
**LB1 (29.7-36.0 MHz)**  
**8486206B06 Top Side**



LB1 (29.7-36.0 MHz) 8486206B06 Bot Side

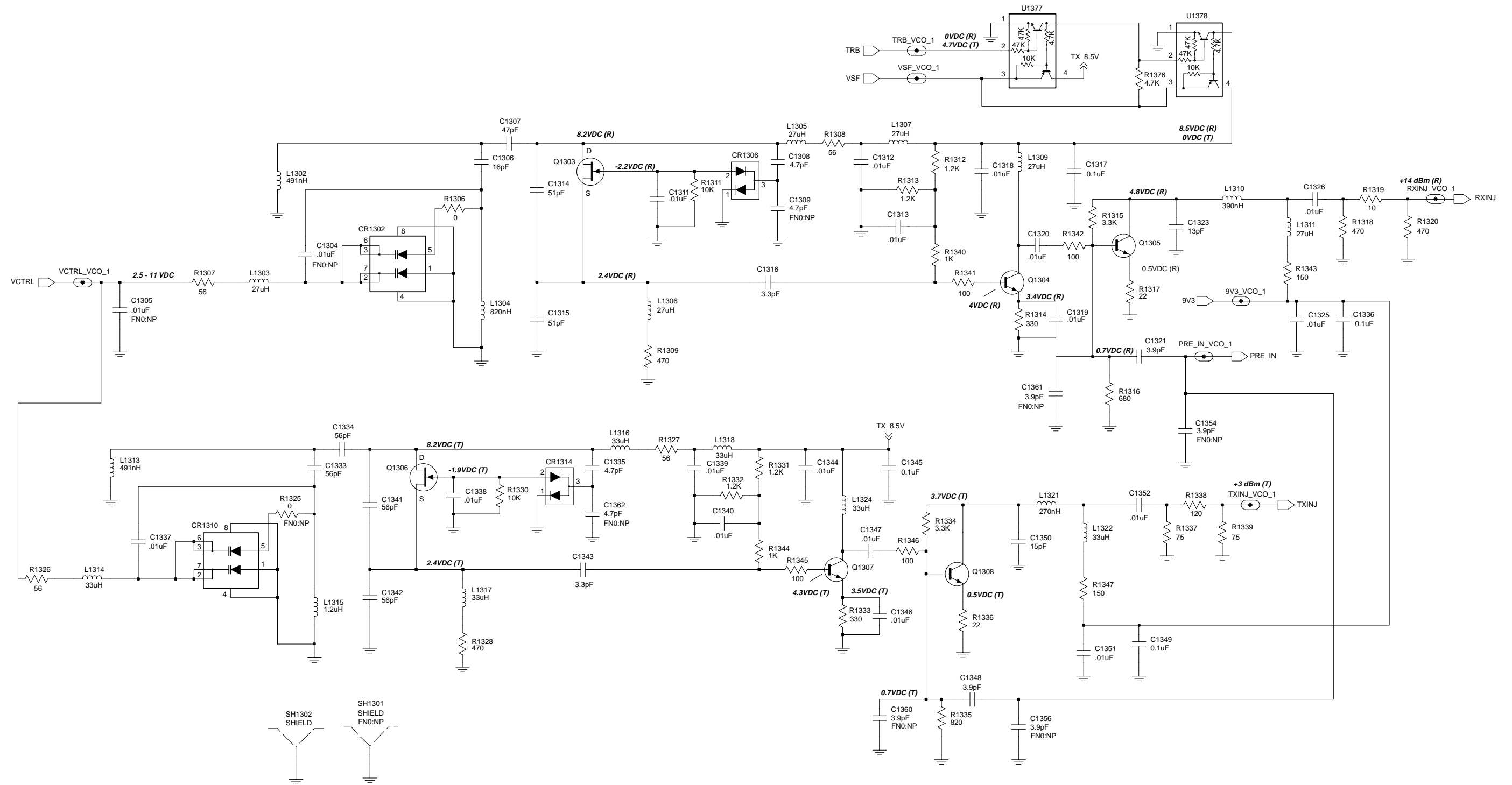


FL0830687-O



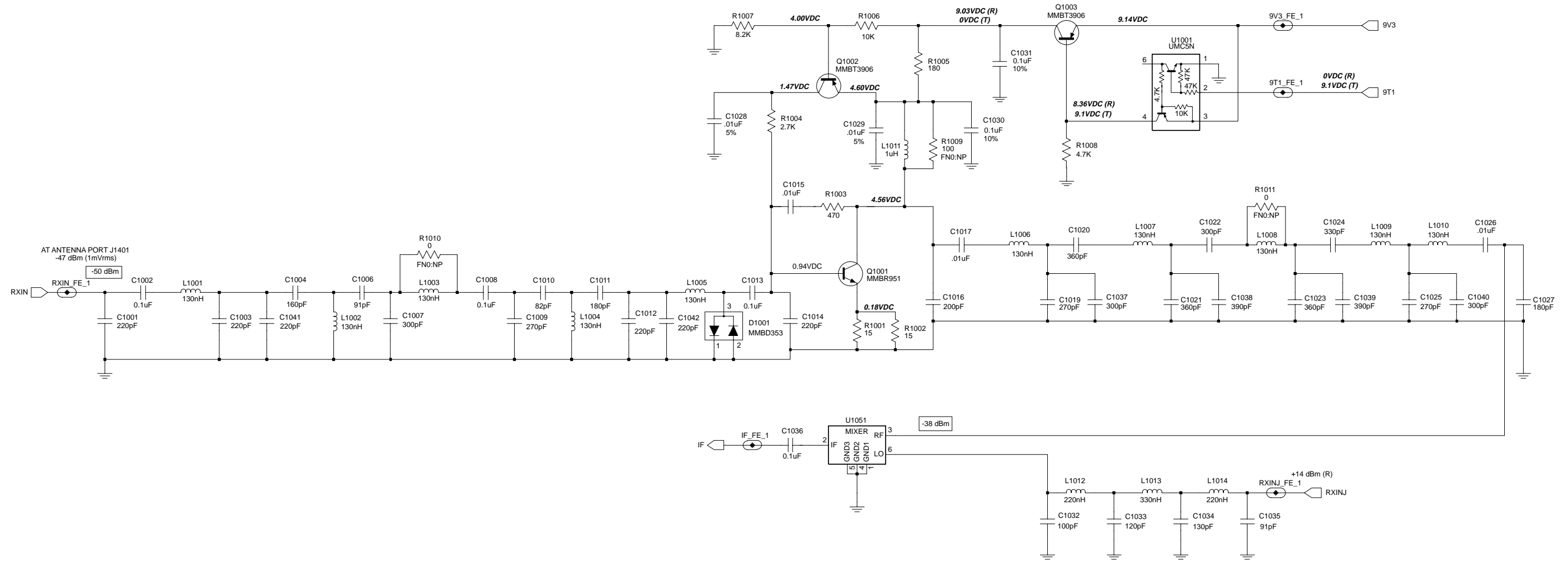
LB1 (29.7-36.0 MHz) Power Amplifier Sheet 2 of 2

FL0830688-O



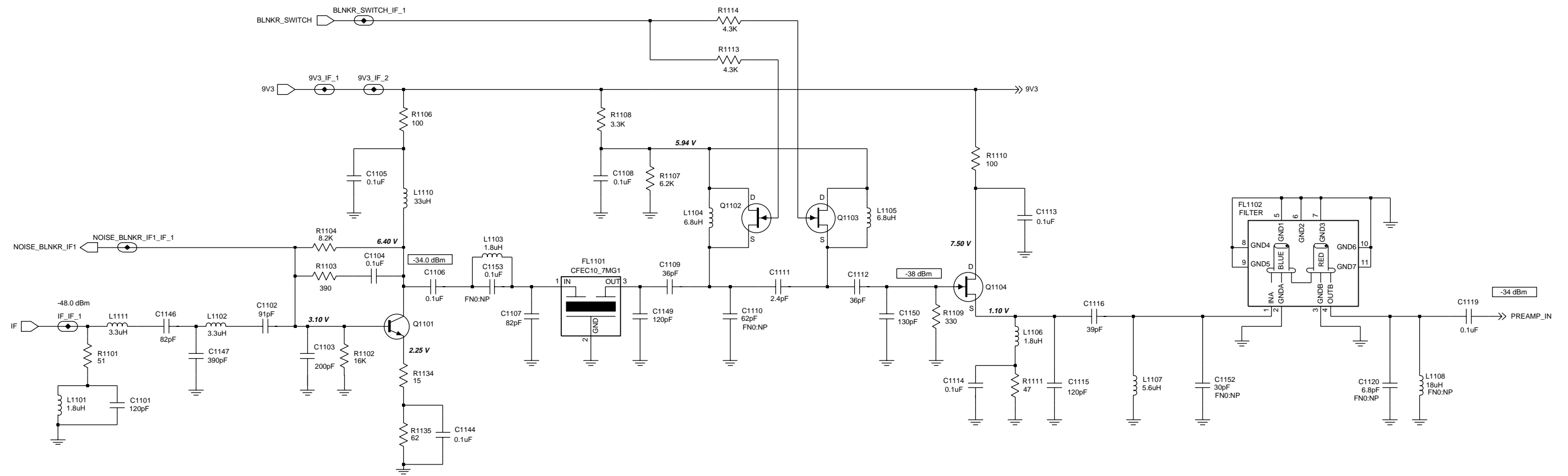
FL0830686-O

**LB1 (29.7-36.0 MHz) Voltage Controlled Oscillator**

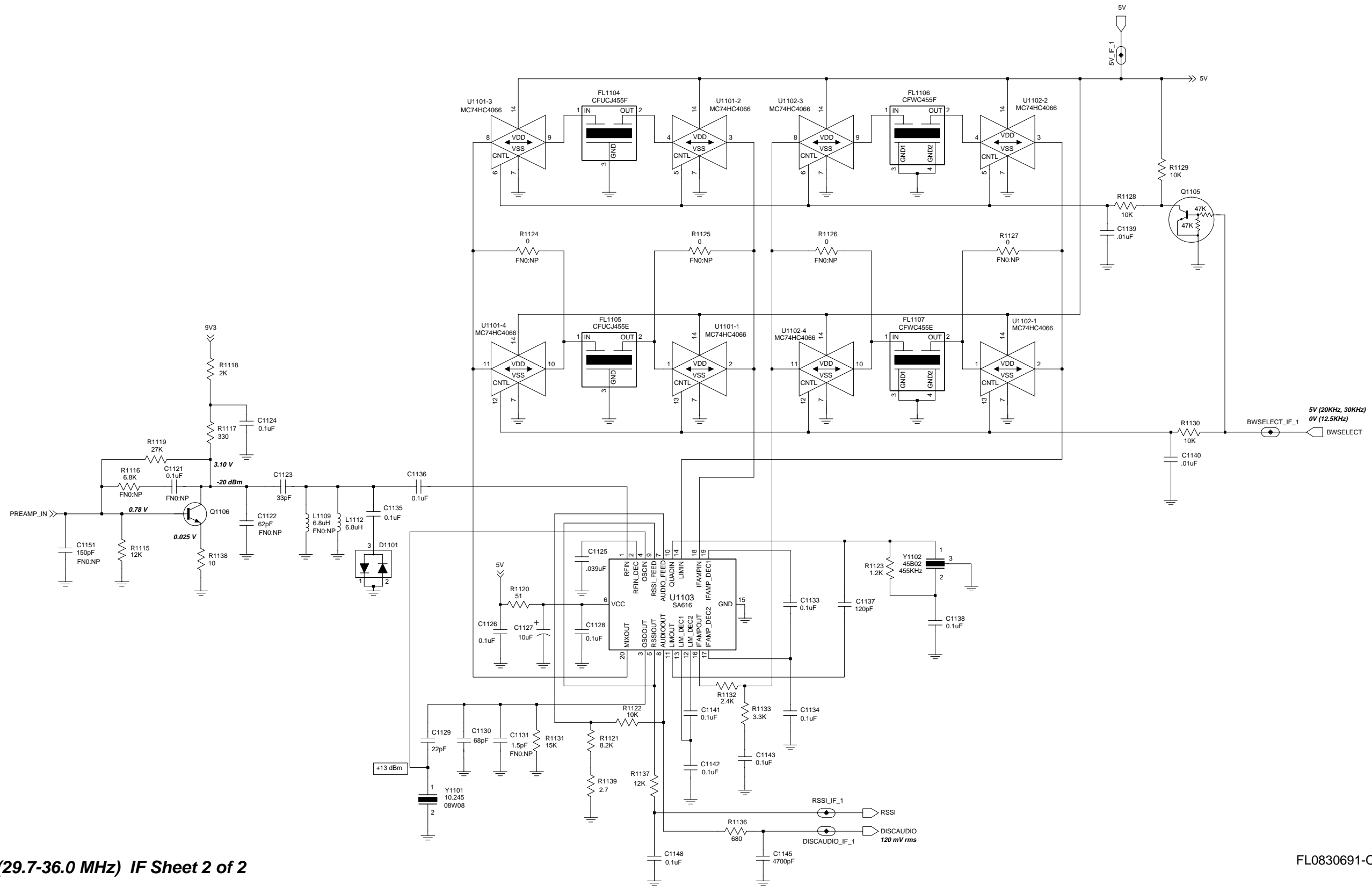


FL0830689-O

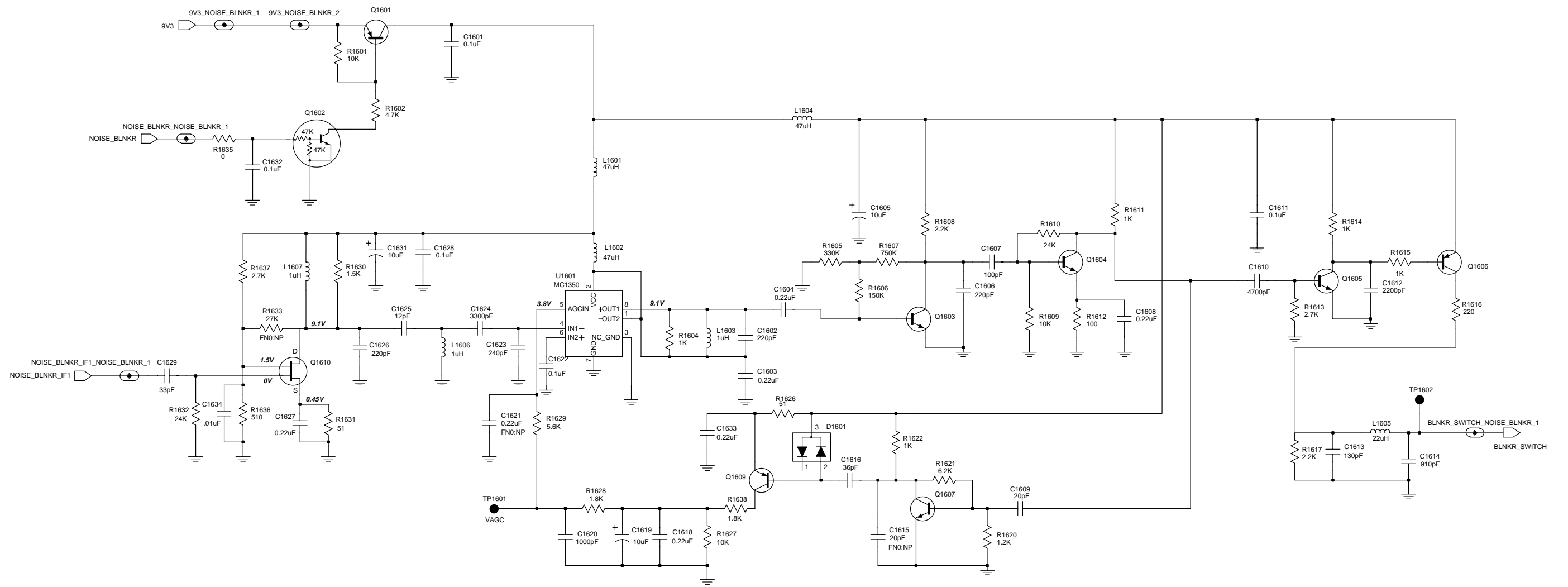
**LB1 (29.7-36.0 MHz) Receiver Front End**



FL0830690-O

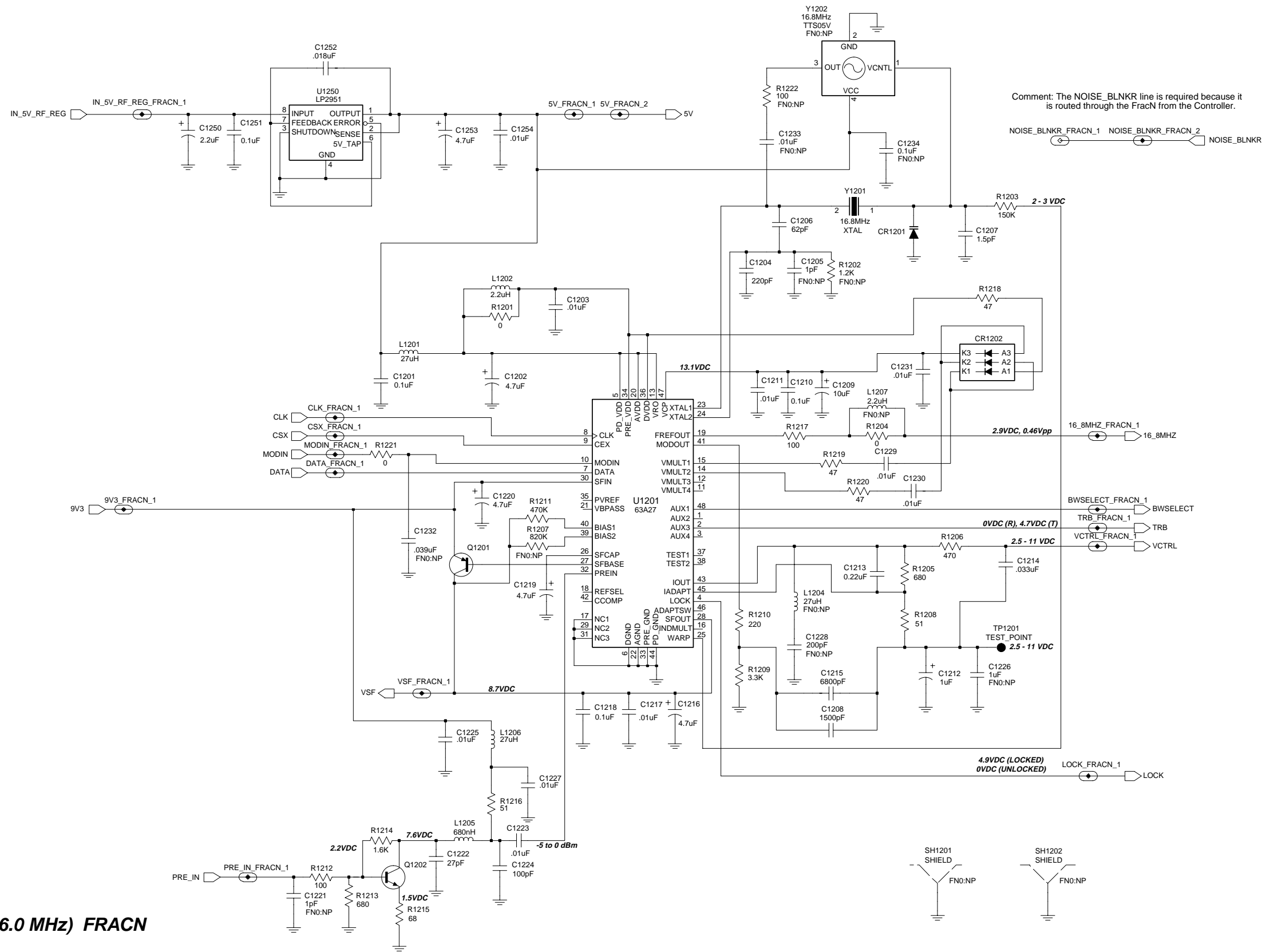






FL0830692-O

**LB1 (29.7-36.0 MHz) Noise Blander**



LB1 (29.7-36.0 MHz) FRACN

**2.1 LB1 PCB 8486206B06 Parts List**

Circuit Ref	Motorola Part No.	Description
C1001	2113740F59	220pF
C1002	2113743E20	0.1uF
C1003	2113740F59	220pF
C1004	2113740F56	160pF
C1006	2113740F50	91pF
C1007	2113740F62	300pF
C1008	2113743E20	0.1uF
C1009	2113740F61	270pF
C1010	2113740F49	82pF
C1011	2113740F57	180pF
C1012	2113740F59	220pF
C1013	2113743E20	0.1uF
C1014	2113740F59	220pF
C1015	2113741F49	.01uF
C1016	2113740F58	200pF
C1017	2113741F49	.01uF
C1019	2113740F61	270pF
C1020	2113740F64	360pF
C1021	2113740F64	360pF
C1022	2113740F62	300pF
C1023	2113740F64	360pF
C1024	2113740F63	330pF
C1025	2113740F61	270pF
C1026	2113741F49	.01uF
C1027	2113740F57	180pF
C1028	2113741F49	.01uF
C1029	2113741F49	.01uF
C1030	2113743E20	0.1uF
C1031	2113743E20	0.1uF
C1032	2113740F51	100pF
C1033	2113740F53	120pF
C1034	2113740F54	130pF
C1035	2113740F50	91pF
C1036	2113743E20	0.1uF
C1037	2113740F62	300pF
C1038	2113740F65	390pF
C1039	2113740F65	390pF
C1040	2113740F62	300pF
C1041	2113740F59	220pF
C1042	2113740F59	220pF
C1101	2113740F53	120pF
C1102	2113740F50	91pF
C1103	2113740F58	200pF
C1104	2113743E20	0.1uF
C1105	2113743E20	0.1uF
C1106	2113743E20	0.1uF
C1107	2113740F49	82pF
C1108	2113743E20	0.1uF
C1109	2113740F40	36pF
C1111	2113740L03	2.4pF
C1112	2113740F40	36pF
C1113	2113743E20	0.1uF
C1114	2113743E20	0.1uF
C1115	2113740F53	120pF
C1116	2113740F41	39pF

Circuit Ref	Motorola Part No.	Description
C1119	2113743E20	0.1uF
C1123	2113740F39	33pF
C1124	2113743E20	0.1uF
C1125	2113743E11	.039uF
C1126	2113743E20	0.1uF
C1127	2311049A57	10uF
C1128	2113743E20	0.1uF
C1129	2113740F35	22pF
C1130	2113740F47	68pF
C1133	2113743E20	0.1uF
C1134	2113743E20	0.1uF
C1135	2113743E20	0.1uF
C1136	2113743E20	0.1uF
C1137	2113740F53	120pF
C1138	2113743E20	0.1uF
C1139	2113741F49	.01uF
C1140	2113741F49	.01uF
C1141	2113743E20	0.1uF
C1142	2113743E20	0.1uF
C1143	2113743E20	0.1uF
C1144	2113743E20	0.1uF
C1145	2113741F41	4700pF
C1146	2113740F49	82pF
C1147	2113740F65	390pF
C1148	2113743E20	0.1uF
C1149	2113740F53	120pF
C1150	2113740F54	130pF
C1201	2113743E20	0.1uF
C1202	2311049J11	4.7uF
C1203	2113741F49	.01uF
C1204	2113740F59	220pF
C1206	2113740L37	62pF
C1207	2113740F07	1.5pF
C1208	2113740A82	1500pF
C1209	2311049A57	10uF
C1210	2113743E20	0.1uF
C1211	2113741F49	.01uF
C1212	2311049A07	1uF
C1213	2113743A23	0.22uF
C1214	2113743E10	.033uF
C1215	2113740C37	6800pF
C1216	2311049J11	4.7uF
C1217	2113741F49	.01uF
C1218	2113743E20	0.1uF
C1219	2311049J11	4.7uF
C1220	2311049J11	4.7uF
C1222	2113740F37	27pF
C1223	2113741F49	.01uF
C1224	2113740F51	100pF
C1225	2113741F49	.01uF
C1227	2113741F49	.01uF
C1229	2113741F49	.01uF
C1230	2113741F49	.01uF
C1231	2113741F49	.01uF
C1250	2311049A09	2.2uF
C1251	2113743E20	0.1uF

Circuit Ref	Motorola Part No.	Description
C1252	2113743E05	.018uF
C1253	2311049J11	4.7uF
C1254	2113741F49	.01uF
C1306	2113740L23	16pF
C1307	2113740L34	47pF
C1308	2113740F19	4.7pF
C1311	2113741F49	.01uF
C1312	2113741F49	.01uF
C1313	2113741F49	.01uF
C1314	2113740L35	51pF
C1315	2113740L35	51pF
C1316	2113740F15	3.3pF
C1317	2113743E20	0.1uF
C1318	2113741F49	.01uF
C1319	2113741F49	.01uF
C1320	2113741F49	.01uF
C1321	2113740F17	3.9pF
C1323	2113740L21	13pF
C1325	2113741F49	.01uF
C1326	2113741F49	.01uF
C1333	2113740L36	56pF
C1334	2113740L36	56pF
C1335	2113740F19	4.7pF
C1336	2113743E20	0.1uF
C1337	2113741F49	.01uF
C1338	2113741F49	.01uF
C1339	2113741F49	.01uF
C1340	2113741F49	.01uF
C1341	2113740L36	56pF
C1342	2113740L36	56pF
C1343	2113740F15	3.3pF
C1344	2113741F49	.01uF
C1345	2113743E20	0.1uF
C1346	2113741F49	.01uF
C1347	2113741F49	.01uF
C1348	2113740F17	3.9pF
C1349	2113743E20	0.1uF
C1350	2113740F31	15pF
C1351	2113741F49	.01uF
C1352	2113741F49	.01uF
C1401	2113741A45	.01uF
C1402	2113741A45	.01uF
C1404	2113741A45	.01uF
C1405	2113741A45	.01uF
C1407	2113741A45	.01uF
C1410	2113741M69	0.1uF
C1413	2113741A45	.01uF
C1414	2113741A45	.01uF
C1415	2113741A45	.01uF
C1417	2113740A79	1000pF
C1418	2113741A45	.01uF
C1419	2113741A45	.01uF
C1420	2113741A45	.01uF
C1423	2113741A45	.01uF
C1424	2113741A45	.01uF
C1425	2113741W01	1uF

Circuit Ref	Motorola Part No.	Description
C1426	2113741W01	1uF
C1427	2111078B59	470pF
C1428	2111078B59	470pF
C1429	2111078B59	470pF
C1430	2111078B59	470pF
C1431	2113741A45	.01uF
C1432	2113741W01	1uF
C1433	2113741W01	1uF
C1434	2113741A45	.01uF
C1435	2113741W01	1uF
C1436	2113741A45	.01uF
C1437	2111078B59	470pF
C1438	2111078B59	470pF
C1439	2111078B59	470pF
C1440	2111078B59	470pF
C1441	2111078B50	200pF
C1442	2111078B39	75pF
C1443	2111078B59	470pF
C1444	2111078B59	470pF
C1445	2113741A45	.01uF
C1446	2180060M41	82pF
C1447	2111078B59	470pF
C1448	2111078B59	470pF
C1449	2180060M46	130pF
C1451	2180060M51	220pF
C1452	2180060M37	56pF
C1453	2180060M48	160pF
C1454	2180060M37	56pF
C1455	2180060M25	18pF
C1456	2180060M43	100pF
C1457	2113741A45	.01uF
C1458	2311049C01	10uF
C1459	2311049C01	10uF
C1460	2113743E20	0.1uF
C1461	2113741A45	.01uF
C1462	2311049C01	10uF
C1463	2113928E01	1uF
C1464	2113741A45	.01uF
C1465	2113928E01	1uF
C1466	2113741A45	.01uF
C1467	2113740A53	82pF
C1468	2113741A45	.01uF
C1469	2113741W01	1uF
C1470	2113741W01	1uF
C1471	2113741A45	.01uF
C1472	2113741M69	0.1uF
C1473	2113741M69	0.1uF
C1474	2113741A45	.01uF
C1475	2113741W01	1uF
C1476	2113741A45	.01uF
C1477	2111078B59	470pF
C1478	2111078B59	470pF
C1479	2111078B49	180pF
C1481	2111078B58	430pF
C1482	2113928E01	1uF
C1484	2113741F33	2200pF

Circuit Ref	Motorola Part No.	Description
C1485	2113741A45	.01uF
C1486	2180060M40	75pF
C1501	2113741F33	2200pF
C1502	2113741F33	2200pF
C1503	2113741F33	2200pF
C1504	2113741F33	2200pF
C1505	2113741F25	1000pF
C1506	2113741F25	1000pF
C1507	2113741F33	2200pF
C1508	2113741F33	2200pF
C1509	2311049A07	1uF
C1510	2113741F33	2200pF
C1511	2113741F33	2200pF
C1512	2113741F33	2200pF
C1525	2113743E20	0.1uF
C1526	2113740F51	100pF
C1527	2113741A45	.01uF
C1528	2113741A45	.01uF
C1529	2113741M69	0.1uF
C1530	2113741A45	.01uF
C1601	2113743E20	0.1uF
C1602	2113740F59	220pF
C1603	2113743A23	0.22uF
C1604	2113743A23	0.22uF
C1605	2311049A57	10uF
C1606	2113740F59	220pF
C1607	2113740F51	100pF
C1608	2113743A23	0.22uF
C1609	2113740F34	20pF
C1610	2113741F41	4700pF
C1611	2113743E20	0.1uF
C1612	2113741F33	2200pF
C1613	2113740F54	130pF
C1614	2113741F24	910pF
C1616	2113740F40	36pF
C1618	2113743A23	0.22uF
C1619	2311049A57	10uF
C1620	2113741F25	1000pF
C1622	2113743E20	0.1uF
C1623	2113740F60	240pF
C1624	2113741F37	3300pF
C1625	2113740F29	12pF
C1626	2113740F59	220pF
C1627	2113743A23	0.22uF
C1628	2113743E20	0.1uF
C1629	2113740F39	33pF
C1631	2311049A57	10uF
C1632	2113743E20	0.1uF
C1633	2113743A23	0.22uF
C1634	2113741A45	.01uF
CR1201	4802245J22	1T363
CR1202	4802233J09	IMN10
CR1302	4805649Q14	HN1V02H
CR1306	4880154K03	MMBD353
CR1310	4805649Q14	HN1V02H
CR1314	4880154K03	MMBD353

Circuit Ref	Motorola Part No.	Description
D1001	4880154K03	MMBD353
D1101	4880154K03	MMBD353
D1401	4808379X02	MA4P1450
D1402	4808379X02	MA4P1450
D1501	4880236E05	MMBD301
D1502	4813833C02	MMBD6100
D1503	4813833C02	MMBD6100
D1601	4880154K03	MMBD353
E1401	2408380X02	FERRITE BEAD
E1403	2408380X02	FERRITE BEAD
FL1101	9180656U03	CFEC10_7MG1
FL1102	9180022M09	CRYSTAL FILTER, 10.7 MHZ
FL1104	9180468V04	CFUCJ455F
FL1105	9180468V05	CFUCJ455E
FL1106	9180469V04	CFWC455F
FL1107	9180469V05	CFWC455E
J1401	0986166B02	MINI-U ANTENNA CONN
L1001	2408382A11	130nH
L1002	2408382C11	130nH
L1003	2408382A11	130nH
L1004	2408382C11	130nH
L1005	2408382A11	130nH
L1006	2408382A11	130nH
L1007	2408382C11	130nH
L1008	2408382A11	130nH
L1009	2408382C11	130nH
L1010	2408382A11	130nH
L1011	2462587N68	1uH
L1012	2462587N57	220nH
L1013	2462587N59	330nH
L1014	2462587N57	220nH
L1101	2462587N33	1.8uH
L1102	2408383X07	3.3uH
L1103	2462587N33	1.8uH
L1104	2480289M10	6.8uH
L1105	2480289M10	6.8uH
L1106	2462587N33	1.8uH
L1107	2480289M09	5.6uH
L1110	2480289M18	33uH
L1111	2408383X07	3.3uH
L1112	2483411T35	6.8uH
L1201	2480289M17	27uH
L1202	2462587Q20	2.2uH
L1205	2462587N64	680nH
L1206	2480289M17	27uH
L1302	2408382D19	491nH
L1303	2480289M17	27uH
L1304	2462587N66	820nH
L1305	2480289M17	27uH
L1306	2480289M17	27uH
L1307	2480289M17	27uH
L1309	2480289M17	27uH
L1310	2462587N60	390nH
L1311	2480289M17	27uH
L1313	2408382D19	491nH
L1314	2480289M18	33uH

Circuit Ref	Motorola Part No.	Description
L1315	2462587N69	1.2uH
L1316	2480289M18	33uH
L1317	2480289M18	33uH
L1318	2480289M18	33uH
L1321	2462587N58	270nH
L1322	2480289M18	33uH
L1324	2480289M18	33uH
L1402	2462587U09	4.7uH
L1403	2462587U09	4.7uH
L1404	2462587X56	180nH
L1406	2408381X36	250.974nH
L1408	2408384A10	120nH
L1413	2408381X17	88.470nH
L1414	2408381X17	88.470nH
L1415	2485873L04	41nH
L1416	2485873L04	41nH
L1417	2408381X14	72.462nH
L1418	2408381X30	184.518nH
L1419	2480289M17	27uH
L1420	2408381X36	250.974nH
L1421	2408381X33	217.576nH
L1422	2408381X26	139.750nH
L1423	2408381X23	124.327nH
L1425	2485873L04	41nH
L1426	2485873L04	41nH
L1601	2483411T45	47uH
L1602	2483411T45	47uH
L1603	2483411T73	1uH
L1604	2483411T45	47uH
L1605	2483411T41	22uH
L1606	2462587T30	1uH
L1607	2462587T30	1uH
M1401	2686201B01	HEATSINK
Q1001	4880173R01	MMBR951
Q1002	4813824A17	MMBT3906
Q1003	4813824A17	MMBT3906
Q1101	4813827A07	MMBR941
Q1102	4813823A05	MMBFU310L
Q1103	4813823A05	MMBFU310L
Q1104	4813823A05	MMBFU310L
Q1105	4880048M01	DTC144EKA
Q1106	4813827A07	MMBR941
Q1201	4813824A17	MMBT3906
Q1202	4880173R01	MMBR951
Q1303	4884235R02	MMBFU310
Q1304	4880173R01	MMBR951
Q1305	4880173R01	MMBR951
Q1306	4884235R02	MMBFU310
Q1307	4880173R01	MMBR951
Q1308	4880173R01	MMBR951
Q1401	4886212B01	MRF1518
Q1402	4886136B01	MRF1550
Q1403	4886136B01	MRF1550
Q1501	4880141L03	BCW68G
Q1502	4813824A10	MMBT3904
Q1503	4813824A10	MMBT3904

Circuit Ref	Motorola Part No.	Description
Q1504	4813824A10	MMBT3904
Q1505	4813824A17	MMBT3906
Q1506	4813824A10	MMBT3904
Q1601	4813824A17	MMBT3906
Q1602	4880048M01	DTC144EKA
Q1603	4813824A10	MMBT3904
Q1604	4813824A10	MMBT3904
Q1605	4813824A10	MMBT3904
Q1606	4813824A17	MMBT3906
Q1607	4813824A10	MMBT3904
Q1609	4813824A17	MMBT3906
Q1610	4805585Q17	NE25139
R1001	0662057A05	15
R1002	0662057A05	15
R1003	0662057A41	470
R1004	0662057A59	2.7K
R1005	0662057A31	180
R1006	0662057A73	10K
R1007	0662057A71	8.2K
R1008	0662057A65	4.7K
R1101	0662057A18	51
R1102	0662057A78	16K
R1103	0662057A39	390
R1104	0662057A71	8.2K
R1106	0662057A25	100
R1107	0662057A68	6.2K
R1108	0662057A61	3.3K
R1109	0662057A37	330
R1110	0662057A25	100
R1111	0662057A17	47
R1113	0662057A64	4.3K
R1114	0662057A64	4.3K
R1115	0662057A75	12K
R1117	0662057A37	330
R1118	0662057A56	2K
R1119	0662057A83	27K
R1120	0662057A18	51
R1121	0662057A71	8.2K
R1122	0662057A73	10K
R1123	0662057A51	1.2K
R1128	0662057A73	10K
R1129	0662057A73	10K
R1130	0662057A73	10K
R1131	0662057A77	15K
R1132	0662057A58	2.4K
R1133	0662057A61	3.3K
R1134	0662057A05	15
R1135	0662057A20	62
R1136	0662057A45	680
R1137	0662057A75	12K
R1138	0662057A01	10
R1139	0611077A12	2.7
R1201	0662057B47	0
R1203	0662057B02	150K
R1204	0662057B47	0
R1205	0662057A45	680

Circuit Ref	Motorola Part No.	Description
R1206	0662057A41	470
R1208	0662057A18	51
R1209	0662057A61	3.3K
R1210	0662057A33	220
R1211	0662057B14	470K
R1212	0662057A25	100
R1213	0662057A45	680
R1214	0662057A54	1.6K
R1215	0662057A21	68
R1216	0662057A18	51
R1217	0662057A25	100
R1218	0662057A17	47
R1219	0662057A17	47
R1220	0662057A17	47
R1221	0662057B47	0
R1306	0662057B47	0
R1307	0662057A19	56
R1308	0662057A19	56
R1309	0662057A41	470
R1311	0662057A73	10K
R1312	0662057A51	1.2K
R1313	0662057A51	1.2K
R1314	0662057A37	330
R1315	0662057A61	3.3K
R1316	0662057A45	680
R1317	0662057A09	22
R1318	0662057A41	470
R1319	0662057A01	10
R1320	0662057A41	470
R1326	0662057A19	56
R1327	0662057A19	56
R1328	0662057A41	470
R1330	0662057A73	10K
R1331	0662057A51	1.2K
R1332	0662057A51	1.2K
R1333	0662057A37	330
R1334	0662057A61	3.3K
R1335	0662057A47	820
R1336	0662057A09	22
R1337	0662057A22	75
R1338	0662057A27	120
R1339	0662057A22	75
R1340	0662057A49	1K
R1341	0662057A25	100
R1342	0662057A25	100
R1343	0662057C55	150
R1344	0662057A49	1K
R1345	0662057A25	100
R1346	0662057A25	100
R1347	0662057C55	150
R1376	0662057A65	4.7K
R1402	0611079A64	390
R1404	0680194M18	51
R1405	0680194M18	51
R1406	0662057A73	10K
R1407	0662057A73	10K

Circuit Ref	Motorola Part No.	Description
R1409	0682089V01	.01
R1410	0683962T52	130
R1411	0662057C99	10K
R1413	0680194M01	10
R1414	0680194M01	10
R1416	0680194M01	10
R1417	0680194M01	10
R1418	0680194M01	10
R1419	0680194M01	10
R1420	0680194M01	10
R1421	0680194M01	10
R1422	0680194M01	10
R1423	0680194M01	10
R1424	0662057D10	27K
R1425	0662057D10	27K
R1440	0662057A25	100
R1442	0662057A25	100
R1443	0662057A49	1K
R1444	0662057A33	220
R1445	0662057A68	6.2K
R1447	0662057B47	0
R1449	0611079A64	390
R1450	0683962T71	820
R1451	0662057K31	180
R1453	0662057K31	180
R1454	0662057K31	180
R1457	0662057K01	10
R1458	0611079A64	390
R1459	0611079A64	390
R1460	0680106R01	0.1
R1463	0662057A75	12K
R1464	0662057A61	3.3K
R1465	0662057A61	3.3K
R1469	0662057C01	0
R1472	0662057A73	10K
R1473	0680194M01	10
R1474	0680194M01	10
R1475	0680194M01	10
R1476	0680194M01	10
R1477	0662057A61	3.3K
R1478	0662057A73	10K
R1479	0662057A61	3.3K
R1480	0662057D10	27K
R1481	0662057A90	51K
R1482	0662057B47	0
R1483	0662057A34	240
R1484	0662057A49	1K
R1501	0662057A45	680
R1502	0662057C67	470
R1503	0662057A61	3.3K
R1504	0662057A73	10K
R1505	0662057A69	6.8K
R1506	0662057A87	39K
R1507	0662057A49	1K
R1508	0662057R17	43.2
R1509	0662057P95	100K

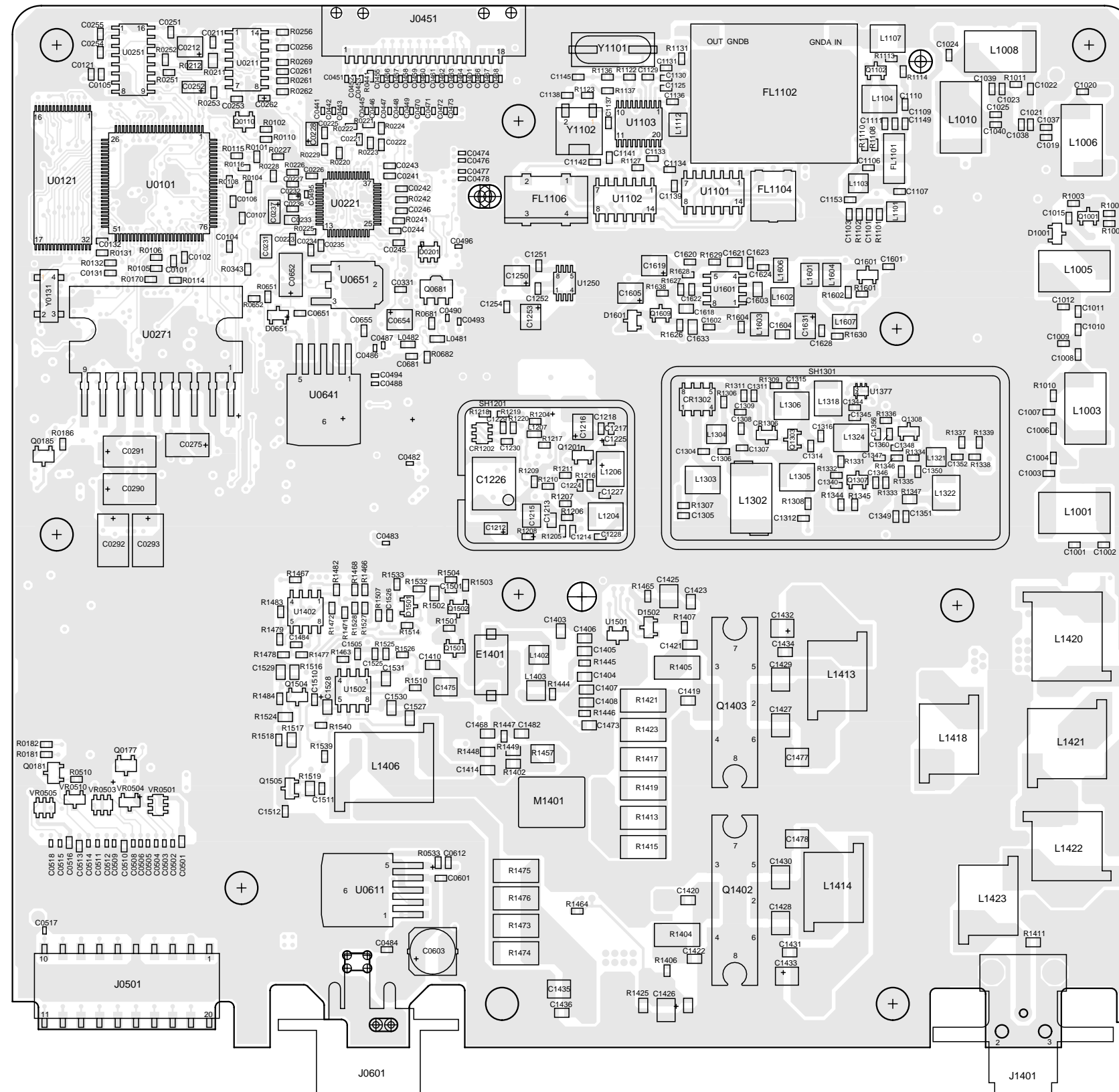
Circuit Ref	Motorola Part No.	Description
R1511	0662057P95	100K
R1513	0662057C76	1.1K
R1514	0662057A97	100K
R1515	0662057A49	1K
R1516	0662057C71	680
R1517	0662057C71	680
R1518	0662057A61	3.3K
R1519	0662057C71	680
R1522	0662057A73	10K
R1524	0662057C71	680
R1526	0662057A97	100K
R1527	0662057A97	100K
R1528	0662057A80	20K
R1532	0662057A95	82K
R1533	0662057A73	10K
R1535	0662057R16	39.2
R1537	0662057A53	1.5K
R1541	0662057A53	1.5K
R1542	0662057A49	1K
R1543	0662057A49	1K
R1544	0662057A90	51K
R1545	0662057A65	4.7K
R1601	0662057A73	10K
R1602	0662057A65	4.7K
R1604	0662057A49	1K
R1605	0662057B10	330K
R1606	0662057B02	150K
R1607	0662057B19	750K
R1608	0662057A57	2.2K
R1609	0662057A73	10K
R1610	0662057A82	24K
R1611	0662057A49	1K
R1612	0662057A25	100
R1613	0662057A59	2.7K
R1614	0662057A49	1K
R1615	0662057A49	1K
R1616	0662057A33	220
R1617	0662057A57	2.2K
R1620	0662057A51	1.2K
R1621	0662057A68	6.2K
R1622	0662057A49	1K
R1626	0662057A18	51
R1627	0662057A73	10K
R1628	0662057A55	1.8K
R1629	0662057A67	5.6K
R1630	0662057A53	1.5K
R1631	0662057A18	51
R1632	0662057A82	24K
R1635	0662057B47	0
R1636	0662057A42	510
R1637	0662057A59	2.7K
R1638	0662057A55	1.8K
SH1302	2680473U01	VCO SHIELD
U1001	4802245J50	UMC5N
U1051	5108278X01	MIXER
U1101	5113805A86	MC74HC4066

Circuit Ref	Motorola Part No.	Description
U1102	5113805A86	MC74HC4066
U1103	5186144B01	SA616
U1201	5185963A27	FRACN SYNTHESIZER
U1250	5185963A33	LP2951
U1377	4802245J50	UMC5N
U1378	4802245J50	UMC5N
U1401	5185130C65	LD MOS PREDRIVER IC
U1402	5113818A03	MC33072
U1501	5185963A15	LM50
U1502	5109731C21	LM6142BIM
U1503	5185765B28	POWER CONTROL IC
U1601	5180929W01	MC1350
Y1101	4880908W08	CRYSTAL, 10.245 MHZ
Y1102	9186145B02	DISCRIMINATOR, 455 KHZ
Y1201	4880114R04	CRYSTAL, 16.8 MHZ
Y1202	NOTPLACED	

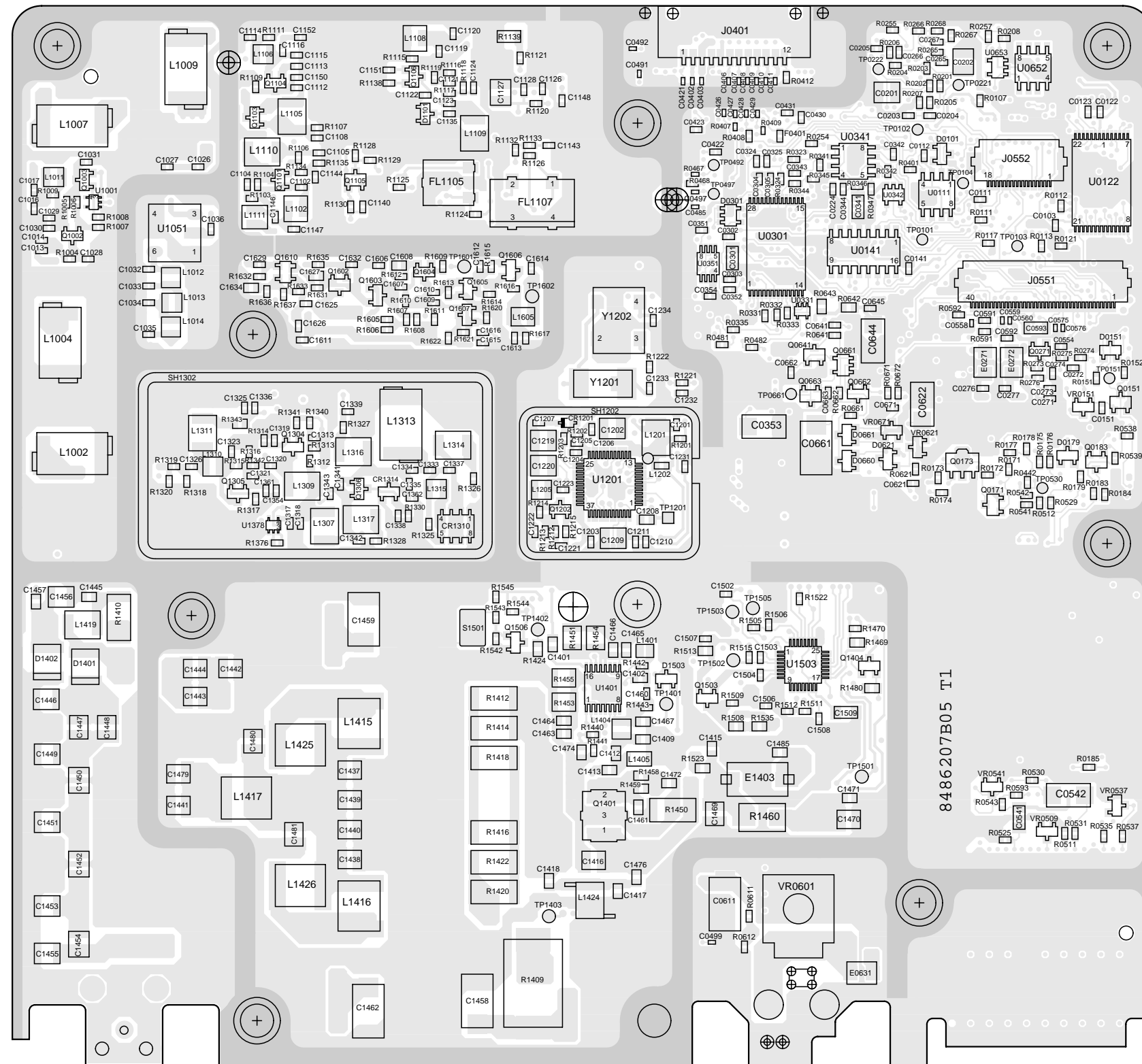
\* Motorola Depot Servicing only  
 Reference designators with an asterisk indicate components which are not fieldreplaceable because they need to be calibrated with specialized factory equipment after installation. Radios in which these parts have been replaced in the field will be off frequency at temperature extremes.



3.0 LB Range2, 25-60W PCB 8486207B05 / Schematics

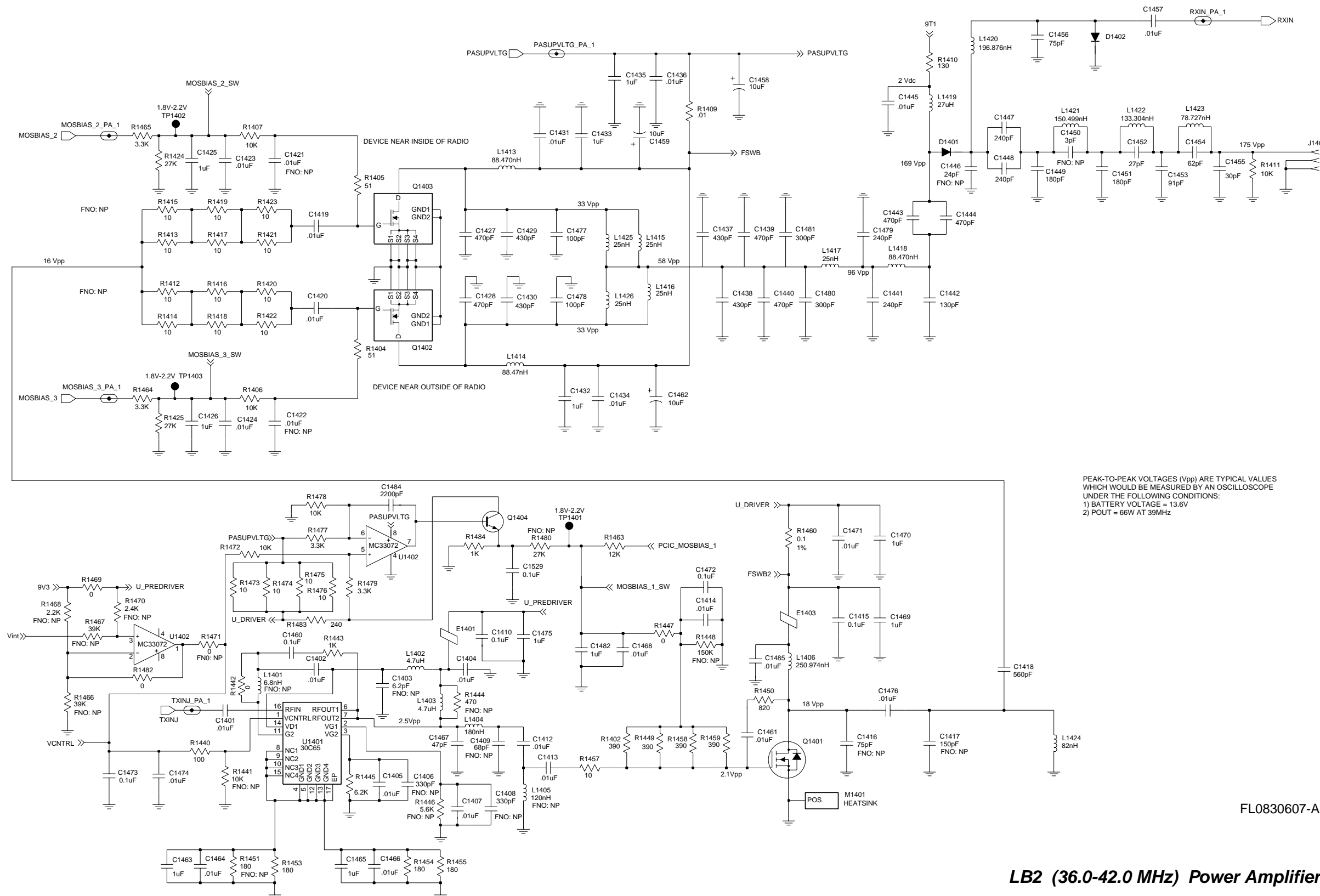


ZWG0130595-O  
**LB2 (36.0-42.0 MHz)**  
**8486207B05 Top Side**



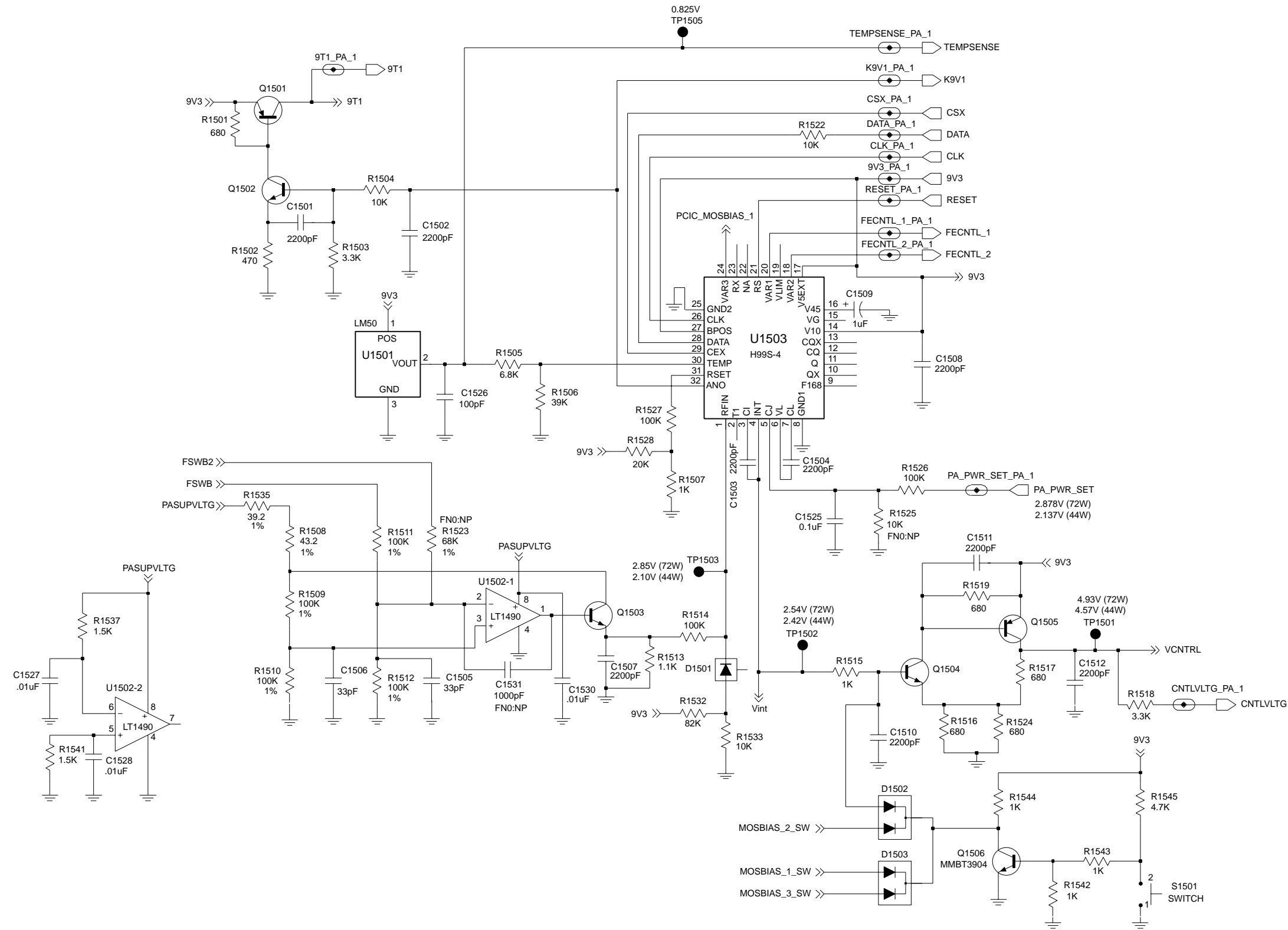
8486207B05 T1

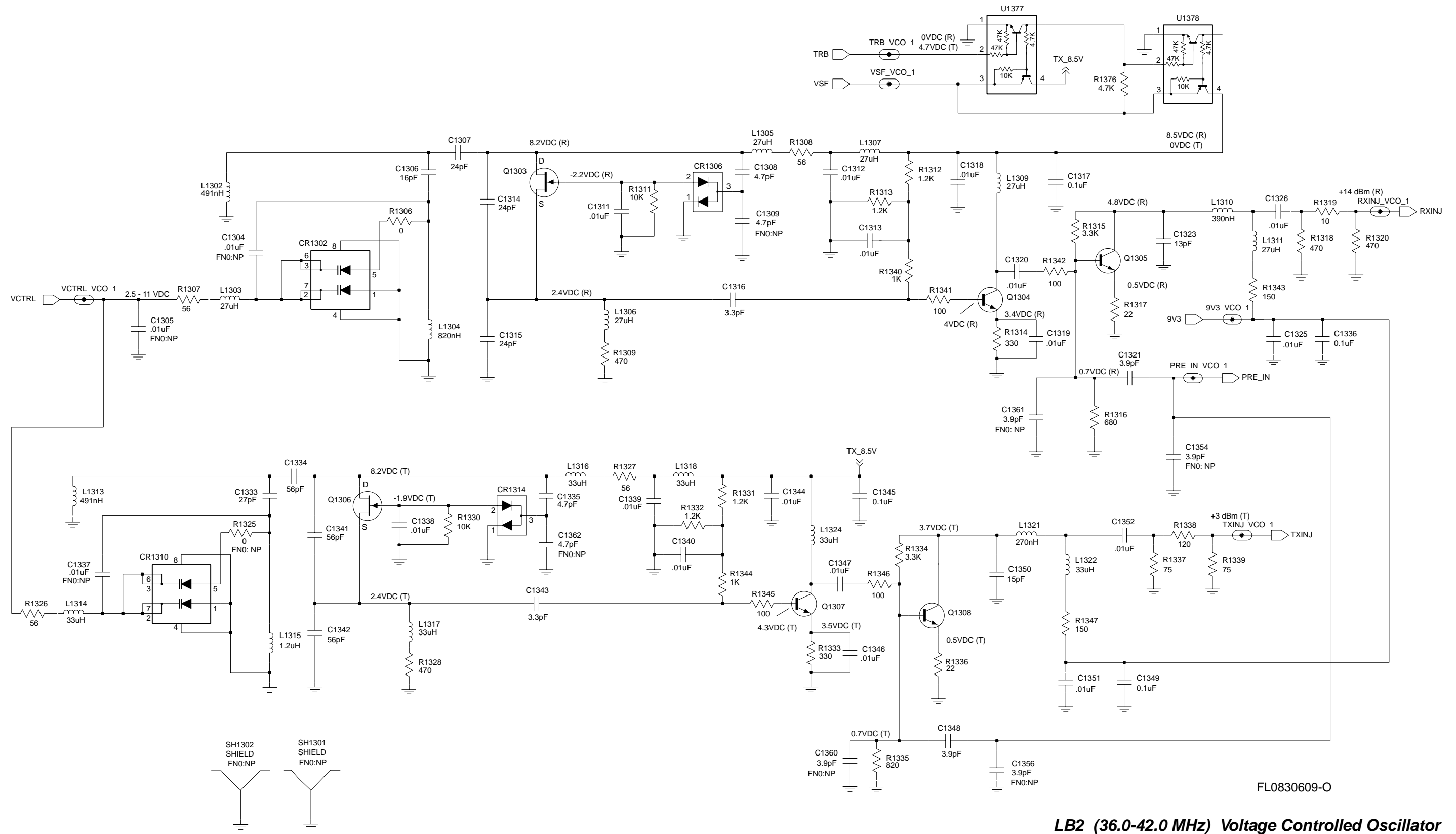
LB2 (36.0-42.0 MHz) 8486207B05 Bot Side

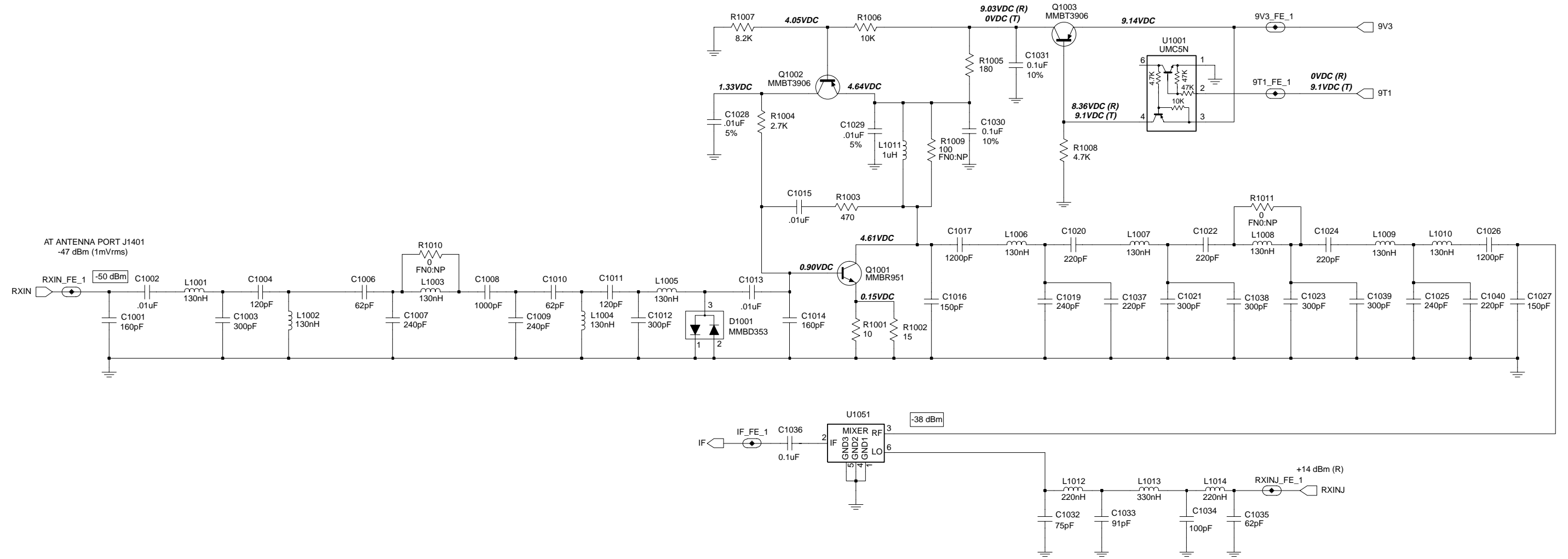


PEAK-TO-PEAK VOLTAGES (Vpp) ARE TYPICAL VALUES WHICH WOULD BE MEASURED BY AN OSCILLOSCOPE UNDER THE FOLLOWING CONDITIONS:  
1) BATTERY VOLTAGE = 13.6V  
2) POUT = 66W AT 39MHz



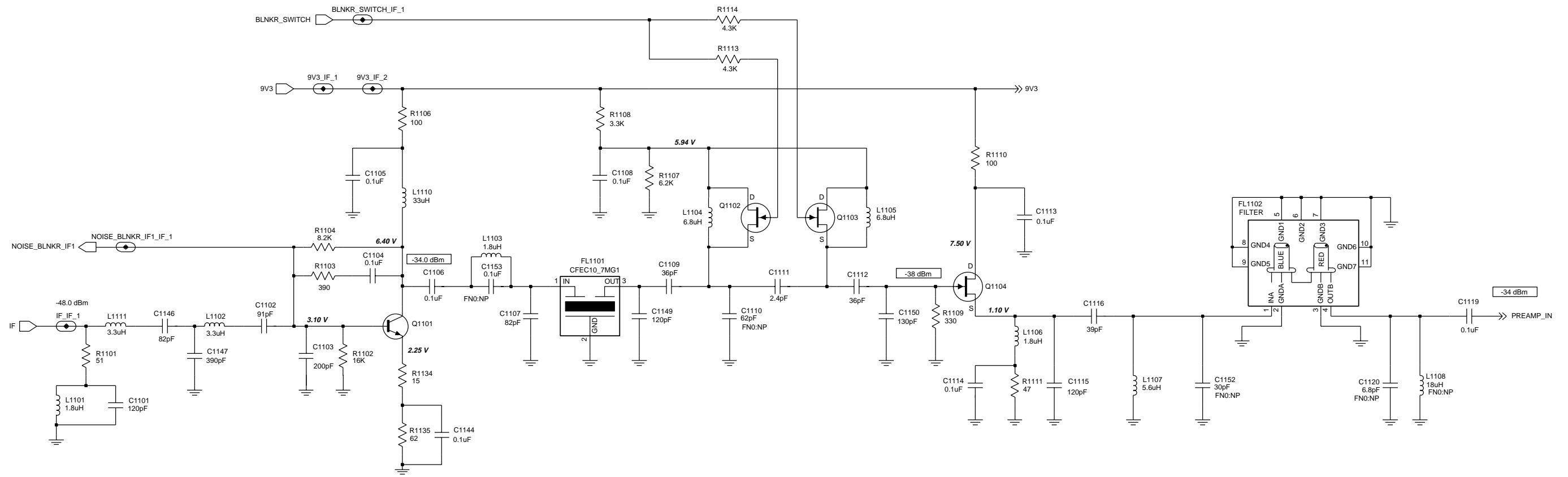




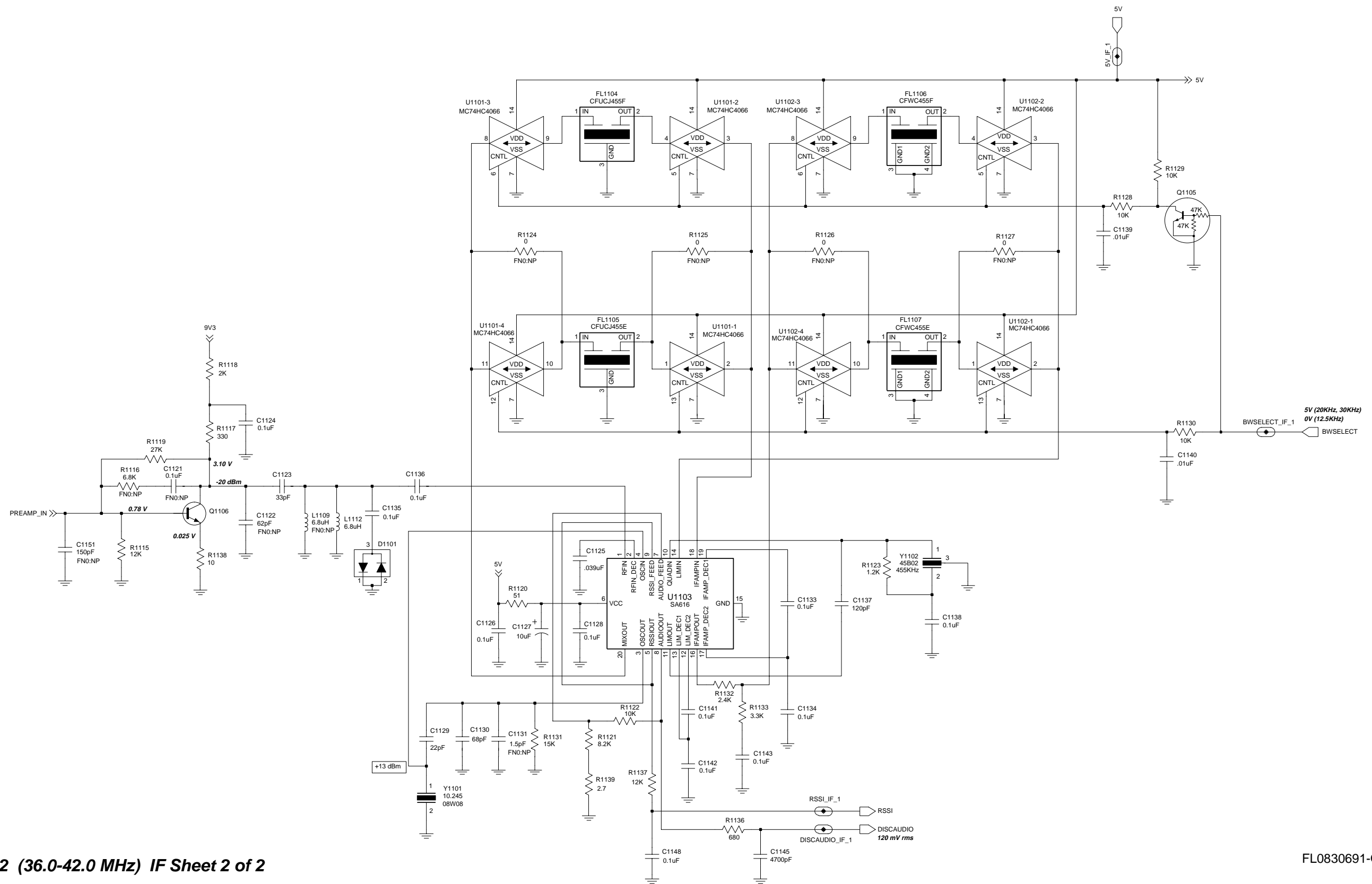


**LB2 (36.0-42.0 MHz) Receiver Front End**

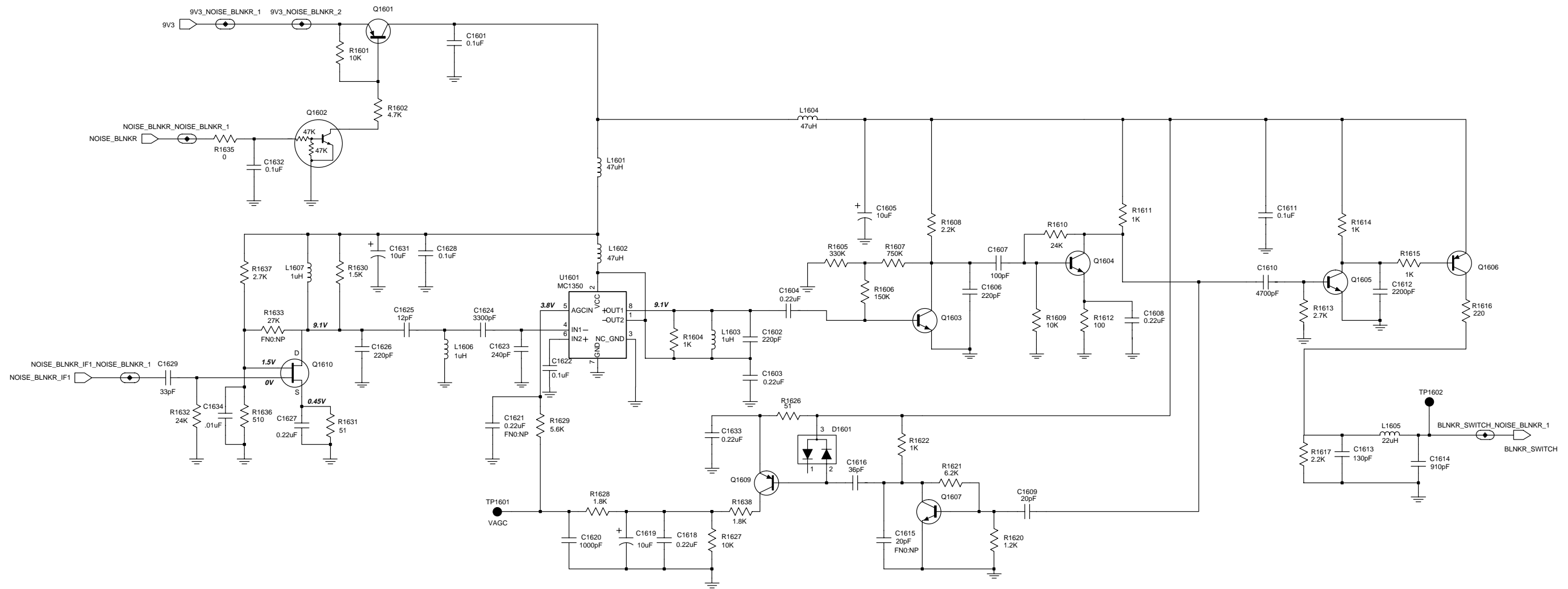
FL0830599-A



FL0830690-O

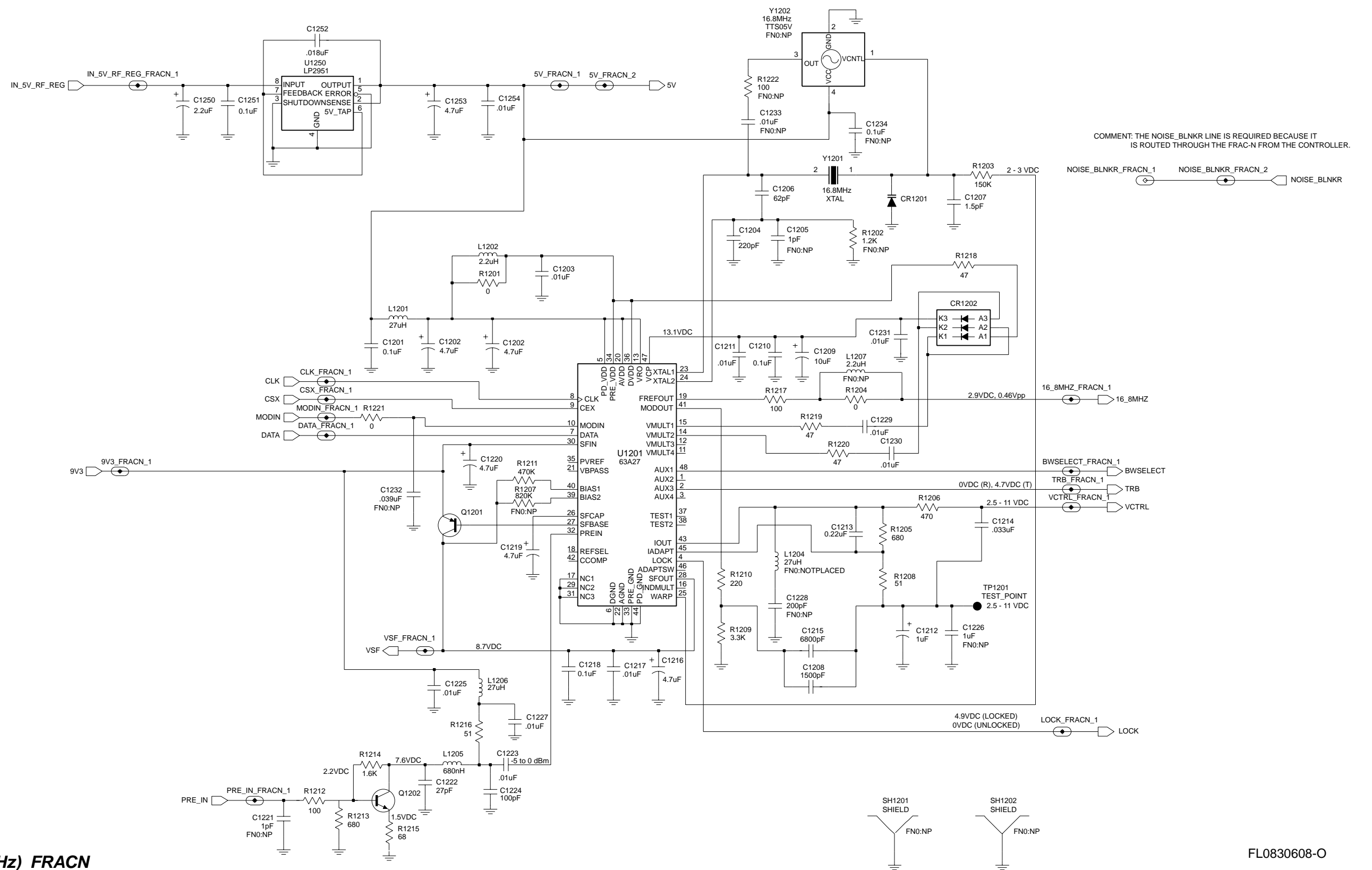


LB2 (36.0-42.0 MHz) IF Sheet 2 of 2



FL0830692-O

**LB2 (36.0-42.0 MHz) Noise Blanker**



LB2 (36.0-42.0 MHz) FRACN

## 3.1 LB2 PCB 8486207B05 Parts List

Circuit Ref	Motorola Part No.	Description
C1001	2113740F56	160pF
C1002	2113741F49	.01uF
C1003	2113740F62	300pF
C1004	2113740F53	120pF
C1006	2113740F46	62pF
C1007	2113740F60	240pF
C1008	2113741F25	1000pF
C1009	2113740F60	240pF
C1010	2113740F46	62pF
C1011	2113740F53	120pF
C1012	2113740F62	300pF
C1013	2113741F49	.01uF
C1014	2113740F56	160pF
C1015	2113741F49	.01uF
C1016	2113740F55	150pF
C1017	2113741F27	1200pF
C1019	2113740F60	240pF
C1020	2113740F59	220pF
C1021	2113740F62	300pF
C1022	2113740F58	200pF
C1023	2113740F62	300pF
C1024	2113740F59	220pF
C1025	2113740F60	240pF
C1026	2113741F27	1200pF
C1027	2113740F55	150pF
C1028	2113741F49	.01uF
C1029	2113741F49	.01uF
C1030	2113743E20	0.1uF
C1031	2113743E20	0.1uF
C1032	2113740F48	75pF
C1033	2113740F50	91pF
C1034	2113740F51	100pF
C1035	2113740F46	62pF
C1036	2113743E20	0.1uF
C1037	2113740F59	220pF
C1038	2113740F62	300pF
C1039	2113740F62	300pF
C1040	2113740F59	220pF
C1101	2113740F53	120pF
C1102	2113740F50	91pF
C1103	2113740F58	200pF
C1104	2113743E20	0.1uF
C1105	2113743E20	0.1uF
C1106	2113743E20	0.1uF
C1107	2113740F49	82pF
C1108	2113743E20	0.1uF
C1109	2113740F40	36pF
C1111	2113740L03	2.4pF
C1112	2113740F40	36pF
C1113	2113743E20	0.1uF

Circuit Ref	Motorola Part No.	Description
C1114	2113743E20	0.1uF
C1115	2113740F53	120pF
C1116	2113740F39	33pF
C1119	2113743E20	0.1uF
C1123	2113740F39	33pF
C1124	2113743E20	0.1uF
C1125	2113743E11	.039uF
C1126	2113743E20	0.1uF
C1127	2311049A57	10uF
C1128	2113743E20	0.1uF
C1129	2113740F35	22pF
C1130	2113740F47	68pF
C1133 -		
C1136	2113743E20	0.1uF
C1137	2113740F53	120pF
C1138	2113743E20	0.1uF
C1139	2113741F49	.01uF
C1140	2113741F49	.01uF
C1141 -		
C1144	2113743E20	0.1uF
C1145	2113741F41	4700pF
C1146	2113740F49	82pF
C1147	2113740F65	390pF
C1148	2113743E20	0.1uF
C1149	2113740F53	120pF
C1150	2113740F54	130pF
C1201	2113743E20	0.1uF
C1202	2311049J11	4.7uF
C1203	2113741F49	.01uF
C1204	2113740F59	220pF
C1206	2113740L37	62pF
C1207	2113740F07	1.5pF
C1208	2113740A82	1500pF
C1209	2311049A57	10uF
C1210	2113743E20	0.1uF
C1211	2113741F49	.01uF
C1212	2311049A07	1uF
C1213	2113743A23	0.22uF
C1214	2113743E10	.033uF
C1215	2113740C37	6800pF
C1216	2311049J11	4.7uF
C1217	2113741F49	.01uF
C1218	2113743E20	0.1uF
C1219	2311049J11	4.7uF
C1220	2311049J11	4.7uF
C1222	2113740F36	24pF
C1223	2113741F49	.01uF
C1224	2113740F49	82pF
C1225	2113741F49	.01uF
C1227	2113741F49	.01uF
C1229	2113741F49	.01uF

Circuit Ref	Motorola Part No.	Description
C1230	2113741F49	.01uF
C1231	2113741F49	.01uF
C1250	2311049A09	2.2uF
C1251	2113743E20	0.1uF
C1252	2113743E05	.018uF
C1253	2311049J11	4.7uF
C1254	2113741F49	.01uF
C1306	2113740L23	16pF
C1307	2113740L27	24pF
C1308	2113740F19	4.7pF
C1311	2113741F49	.01uF
C1312	2113741F49	.01uF
C1313	2113741F49	.01uF
C1314	2113740L27	24pF
C1315	2113740L27	24pF
C1316	2113740F15	3.3pF
C1317	2113743E20	0.1uF
C1318	2113741F49	.01uF
C1319	2113741F49	.01uF
C1320	2113741F49	.01uF
C1321	2113740F17	3.9pF
C1323	2113740L21	13pF
C1325	2113741F49	.01uF
C1326	2113741F49	.01uF
C1333	2113740L28	27pF
C1334	2113740L36	56pF
C1335	2113740F19	4.7pF
C1336	2113743E20	0.1uF
C1338	2113741F49	.01uF
C1339	2113741F49	.01uF
C1340	2113741F49	.01uF
C1341	2113740L36	56pF
C1342	2113740L36	56pF
C1343	2113740F15	3.3pF
C1344	2113741F49	.01uF
C1345	2113743E20	0.1uF
C1346	2113741F49	.01uF
C1347	2113741F49	.01uF
C1348	2113740F17	3.9pF
C1349	2113743E20	0.1uF
C1350	2113740F31	15pF
C1351	2113741F49	.01uF
C1352	2113741F49	.01uF
C1401	2113741A45	.01uF
C1402	2113741A45	.01uF
C1404	2113741A45	.01uF
C1405	2113741A45	.01uF
C1407	2113741A45	.01uF
C1410	2113741M69	0.1uF
C1412	2113741A45	.01uF
C1413	2113741A45	.01uF

Circuit Ref	Motorola Part No.	Description
C1414	2113741A45	.01uF
C1415	2113741M69	0.1uF
C1418	2113740A73	560pF
C1419	2113741A45	.01uF
C1420	2113741A45	.01uF
C1423	2113741A45	.01uF
C1424	2113741A45	.01uF
C1425	2113741W01	1uF
C1426	2113741W01	1uF
C1427	2111078B59	470pF
C1428	2111078B59	470pF
C1429	2111078B58	430pF
C1430	2111078B58	430pF
C1431	2113741A45	.01uF
C1432	2113741W01	1uF
C1433	2113741W01	1uF
C1434	2113741A45	.01uF
C1435	2113741W01	1uF
C1436	2113741A45	.01uF
C1437	2111078B58	430pF
C1438	2111078B58	430pF
C1439	2111078B59	470pF
C1440	2111078B59	470pF
C1441	2111078B52	240pF
C1442	2111078B45	130pF
C1443	2111078B59	470pF
C1444	2111078B59	470pF
C1445	2113741A45	.01uF
C1447	2111078B52	240pF
C1448	2111078B52	240pF
C1449	2180060M49	180pF
C1451	2180060M49	180pF
C1452	2180060M29	27pF
C1453	2180060M42	91pF
C1454	2180060M38	62pF
C1455	2180060M30	30pF
C1456	2180060M40	75pF
C1457	2113741A45	.01uF
C1458	2311049C01	10uF
C1459	2311049C01	10uF
C1460	2113743E20	0.1uF
C1461	2113741A45	.01uF
C1462	2311049C01	10uF
C1463	2113928E01	1uF
C1464	2113741A45	.01uF
C1465	2113928E01	1uF
C1466	2113741A45	.01uF
C1467	2113740A46	47pF
C1468	2113741A45	.01uF
C1469	2113741W01	1uF
C1470	2113741W01	1uF



Circuit Ref	Motorola Part No.	Description
C1471	2113741A45	.01uF
C1472	2113741M69	0.1uF
C1473	2113741M69	0.1uF
C1474	2113741A45	.01uF
C1475	2113741W01	1uF
C1476	2113741A45	.01uF
C1477	2111078B42	100pF
C1478	2111078B42	100pF
C1479	2111078B52	240pF
C1480	2111078B54	300pF
C1481	2111078B54	300pF
C1482	2113928E01	1uF
C1484	2113741F33	2200pF
C1485	2113741A45	.01uF
C1501	2113741F33	2200pF
C1502	2113741F33	2200pF
C1503	2113741F33	2200pF
C1504	2113741F33	2200pF
C1505	2113741F25	1nF
C1506	2113741F25	1nF
C1507	2113741F33	2200pF
C1508	2113741F33	2200pF
C1509	2311049A07	1uF
C1510	2113741F33	2200pF
C1511	2113741F33	2200pF
C1512	2113741F33	2200pF
C1525	2113743E20	0.1uF
C1526	2113740F51	100pF
C1527	2113741A45	.01uF
C1528	2113741A45	.01uF
C1529	2113741M69	0.1uF
C1530	2113741A45	.01uF
C1601	2113743E20	0.1uF
C1602	2113740F59	220pF
C1603	2113743A23	0.22uF
C1604	2113743A23	0.22uF
C1605	2311049A57	10uF
C1606	2113740F59	220pF
C1607	2113740F51	100pF
C1608	2113743A23	0.22uF
C1609	2113740F34	20pF
C1610	2113741F41	4700pF
C1611	2113743E20	0.1uF
C1612	2113741F33	2200pF
C1613	2113740F54	130pF
C1614	2113741F24	910pF
C1616	2113740F40	36pF
C1618	2113743A23	0.22uF
C1619	2311049A57	10uF
C1620	2113741F25	1000pF
C1622	2113743E20	0.1uF

Circuit Ref	Motorola Part No.	Description
C1623	2113740F60	240pF
C1624	2113741F37	3300pF
C1625	2113740F29	12pF
C1626	2113740F59	220pF
C1627	2113743A23	0.22uF
C1628	2113743E20	0.1uF
C1629	2113740F39	33pF
C1631	2311049A57	10uF
C1632	2113743E20	0.1uF
C1633	2113743A23	0.22uF
C1634	2113741A45	.01uF
CR1201	4802245J22	1T363
CR1202	4802233J09	IMN10
CR1302	4805649Q14	HN1V02H
CR1306	4880154K03	MMBD353
CR1310	4805649Q14	HN1V02H
CR1314	4880154K03	MMBD353
D1001	4880154K03	MMBD353
D1101	4880154K03	MMBD353
D1401	4808379X02	MA4P1450
D1402	4808379X02	MA4P1450
D1501	4880236E05	MMBD301
D1502	4813833C02	MMBD6100
D1503	4813833C02	MMBD6100
D1601	4880154K03	MMBD353
E1401	2408380X02	2773037446
E1403	2408380X02	2773037446
FL1101	9180656U03	CFEC10_7MG1
FL1102	9180022M09	FILTER
FL1104	9180468V04	CFUCJ455F
FL1105	9180468V05	CFUCJ455E
FL1106	9180469V04	CFWC455F
FL1107	9180469V05	CFWC455E
J1401	0986166B02	CONN_J
L1001 -		
L1010	2408382A11	130nH
L1011	2462587N68	1uH
L1012	2462587N57	220nH
L1013	2462587N59	330nH
L1014	2462587N57	220nH
L1101	2462587N33	1.8uH
L1102	2408383X07	3.3uH
L1103	2462587N33	1.8uH
L1104	2480289M10	6.8uH
L1105	2480289M10	6.8uH
L1106	2462587N33	1.8uH
L1107	2480289M10	6.8uH
L1110	2480289M18	33uH
L1111	2408383X07	3.3uH
L1112	2483411T35	6.8uH
L1201	2480289M17	27uH

Circuit Ref	Motorola Part No.	Description
L1202	2462587Q20	2.2uH
L1205	2462587N62	560nH
L1206	2480289M17	27uH
L1302	2408382D19	491nH
L1303	2480289M17	27uH"
L1304	2462587N66	820nH
L1305	2480289M17	27uH
L1306	2480289M17	27uH
L1307	2480289M17	27uH
L1309	2480289M17	27uH
L1310	2462587N60	390nH
L1311	2480289M17	27uH
L1313	2408382D19	491nH
L1314	2480289M18	33uH
L1315	2462587N69	1.2uH
L1316	2480289M18	33uH
L1317	2480289M18	33uH
L1318	2480289M18	33uH
L1321	2462587N58	270nH
L1322	2480289M18	33uH
L1324	2480289M18	33uH
L1402	2462587U09	4.7uH
L1403	2462587U09	4.7uH
L1404	2462587N56	180nH
L1406	2408381X36	250.974nH
L1413	2408381X17	88.470nH
L1414	2408381X17	88.470nH
L1415	2460591X02	25nH
L1416	2460591X02	25nH
L1417	2460591X02	25nH
L1418	2408381X17	88.470nH
L1419	2480289M17	27uH
L1420	2408381X31	196.876nH
L1421	2408381X27	150.499nH
L1422	2408381X24	133.304nH
L1423	2408381X15	78.727nH
L1424	2408384A08	82nH
L1425	2460591X02	25nH
L1426	2460591X02	25nH
L1601	2483411T45	47uH
L1602	2483411T45	47uH
L1603	2483411T73	1uH
L1604	2483411T45	47uH
L1605	2483411T41	22uH
L1606	2462587T30	1uH
L1607	2462587T30	1uH
M1401	2686201B01	HEATSINK
Q1001	4880173R01	MMBR951
Q1002	4813824A17	MMBT3906
Q1003	4813824A17	MMBT3906
Q1101	4813827A07	MMBR941

Circuit Ref	Motorola Part No.	Description
Q1102	4813823A05	MMBFU310L
Q1103	4813823A05	MMBFU310L
Q1104	4813823A05	MMBFU310L
Q1105	4880048M01	DTC144EKA
Q1106	4813827A07	MMBR941
Q1201	4813824A17	MMBT3906
Q1202	4880173R01	MMBR951
Q1303	4884235R02	MMBFU310
Q1304	4880173R01	MMBR951
Q1305	4880173R01	MMBR951
Q1306	4884235R02	MMBFU310
Q1307	4880173R01	MMBR951
Q1308	4880173R01	MMBR951
Q1401	4886212B01	MRF1518
Q1402	4886136B01	36B01
Q1403	4886136B01	36B01
Q1501	4880141L03	BCW68G
Q1502	4813824A10	MMBT3904
Q1503	4813824A10	MMBT3904
Q1504	4813824A10	MMBT3904
Q1505	4813824A17	MMBT3906
Q1506	4813824A10	MMBT3904
Q1601	4813824A17	MMBT3906
Q1602	4880048M01	DTC144EKA
Q1603	4813824A10	MMBT3904
Q1604	4813824A10	MMBT3904
Q1605	4813824A10	MMBT3904
Q1606	4813824A17	MMBT3906
Q1607	4813824A10	MMBT3904
Q1609	4813824A17	MMBT3906
Q1610	4805585Q17	NE25139
R1001	0662057A05	15
R1002	0662057A05	15
R1003	0662057A41	470
R1004	0662057A59	2.7K
R1005	0662057A31	180
R1006	0662057A73	10K
R1007	0662057A71	8.2K
R1008	0662057A65	4.7K
R1101	0662057A18	51
R1102	0662057A78	16K
R1103	0662057A39	390
R1104	0662057A71	8.2K
R1106	0662057A25	100
R1107	0662057A68	6.2K
R1108	0662057A61	3.3K
R1109	0662057A37	330
R1110	0662057A25	100
R1111	0662057A17	47
R1113	0662057A64	4.3K
R1114	0662057A64	4.3K

Circuit Ref	Motorola Part No.	Description
R1115	0662057A75	12K
R1117	0662057A37	330
R1118	0662057A56	2K
R1119	0662057A83	27K
R1120	0662057A18	51
R1121	0662057A71	8.2K
R1122	0662057A73	10K
R1123	0662057A51	1.2K
R1128 -		
R1130	0662057A73	10K
R1131	0662057A77	15K
R1132	0662057A58	2.4K
R1133	0662057A61	3.3K
R1134	0662057A05	15
R1135	0662057A20	62
R1136	0662057A45	680
R1137	0662057A75	12K
R1138	0662057A01	10
R1139	0611077A12	2.7
R1201	0662057B47	0
R1203	0662057B02	150K
R1204	0662057B47	0
R1205	0662057A45	680
R1206	0662057A41	470
R1208	0662057A18	51
R1209	0662057A61	3.3K
R1210	0662057A33	220
R1211	0662057B14	470K
R1212	0662057A25	100
R1213	0662057A45	680
R1214	0662057A54	1.6K
R1215	0662057A21	68
R1216	0662057A18	51
R1217	0662057A25	100
R1218 -		
R1220	0662057A17	47
R1221	0662057B47	0
R1306	0662057B47	0
R1307	0662057A19	56
R1308	0662057A19	56
R1309	0662057A41	470
R1311	0662057A73	10K
R1312	0662057A51	1.2K
R1313	0662057A51	1.2K
R1314	0662057A37	330
R1315	0662057A61	3.3K
R1316	0662057A45	680
R1317	0662057A09	22
R1318	0662057A41	470
R1319	0662057A01	10
R1320	0662057A41	470

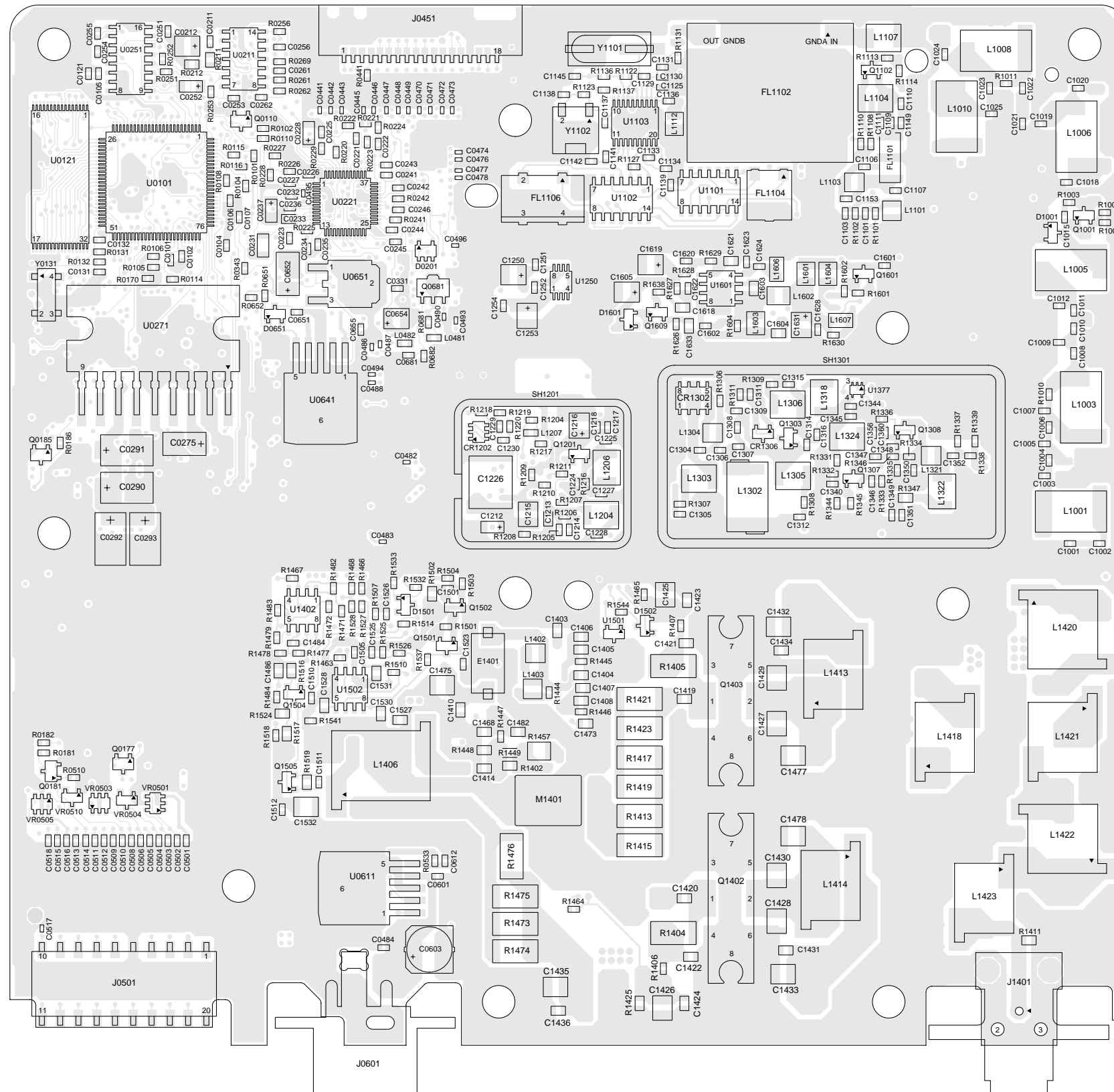
Circuit Ref	Motorola Part No.	Description
R1325	0662057B47	0
R1326	0662057A19	56
R1327	0662057A19	56
R1328	0662057A41	470
R1330	0662057A73	10K
R1331	0662057A51	1.2K
R1332	0662057A51	1.2K
R1333	0662057A37	330
R1334	0662057A61	3.3K
R1335	0662057A47	820
R1336	0662057A09	22
R1337	0662057A22	75
R1338	0662057A27	120
R1339	0662057A22	75
R1340	0662057A49	1K
R1341	0662057A25	100
R1342	0662057A25	100
R1343	0662057C55	150
R1344	0662057A49	1K
R1345	0662057A25	100
R1346	0662057A25	100
R1347	0662057C55	150
R1376	0662057A65	4.7K
R1402	0611079A64	390
R1404	0680194M18	51
R1405	0680194M18	51
R1406	0662057A73	10K
R1407	0662057A73	10K
R1409	0682089V01	.01
R1410	0683962T52	130
R1411	0662057C99	10K
R1413	0680194M01	10
R1414	0680194M01	10
R1416 -		
R1423	0680194M01	10
R1424	0611079B27	150K
R1425	0611079B27	150K
R1440	0662057A25	100
R1442	0662057B47	0
R1443	0662057A49	1K
R1445	0662057A68	6.2K
R1447	0662057B47	0
R1449	0611079A64	390
R1450	0683962T71	820
R1453 -		
R1455	0662057K31	180
R1457	0662057K01	10
R1458	0611079A64	390
R1459	0611079A64	390
R1460	0680106R01	0.1
R1463	0662057A93	68K

Circuit Ref	Motorola Part No.	Description
R1464	0662057A73	10K
R1465	0662057A73	10K
R1469	0662057C01	0
R1472	0662057A73	10K
R1473 -		
R1476	0680194M01	10
R1477	0662057A61	3.3K
R1478	0662057A73	10K
R1479	0662057A61	3.3K
R1480	0611079B27	150K
R1482	0662057B47	0
R1483	0662057A34	240
R1484	0662057A49	1K
R1501	0662057A45	680
R1502	0662057C67	470
R1503	0662057A61	3.3K
R1504	0662057A73	10K
R1505	0662057A69	6.8K
R1506	0662057A87	39K
R1507	0662057A49	1K
R1508	0662057R17	43.2
R1509	0662057P95	100K
R1511	0662057P95	100K
R1513	0662057C76	1.1K
R1514	0662057A97	100K
R1515	0662057A49	1K
R1516	0662057C71	680
R1517	0662057C71	680
R1518	0662057A61	3.3K
R1519	0662057C71	680
R1522	0662057A73	10K
R1524	0662057C71	680
R1526	0662057A97	100K
R1527	0662057A97	100K
R1528	0662057A80	20K
R1532	0662057A95	82K
R1533	0662057A73	10K
R1535	0662057R16	39.2
R1539	0662057A53	1.5K
R1540	0662057A53	1.5K
R1542 -		
R1544	0662057A49	1K
R1545	0662057A65	4.7K
R1601	0662057A73	10K
R1602	0662057A65	4.7K
R1604	0662057A49	1K
R1605	0662057B10	330K
R1606	0662057B02	150K
R1607	0662057B19	750K
R1608	0662057A57	2.2K
R1609	0662057A73	10K

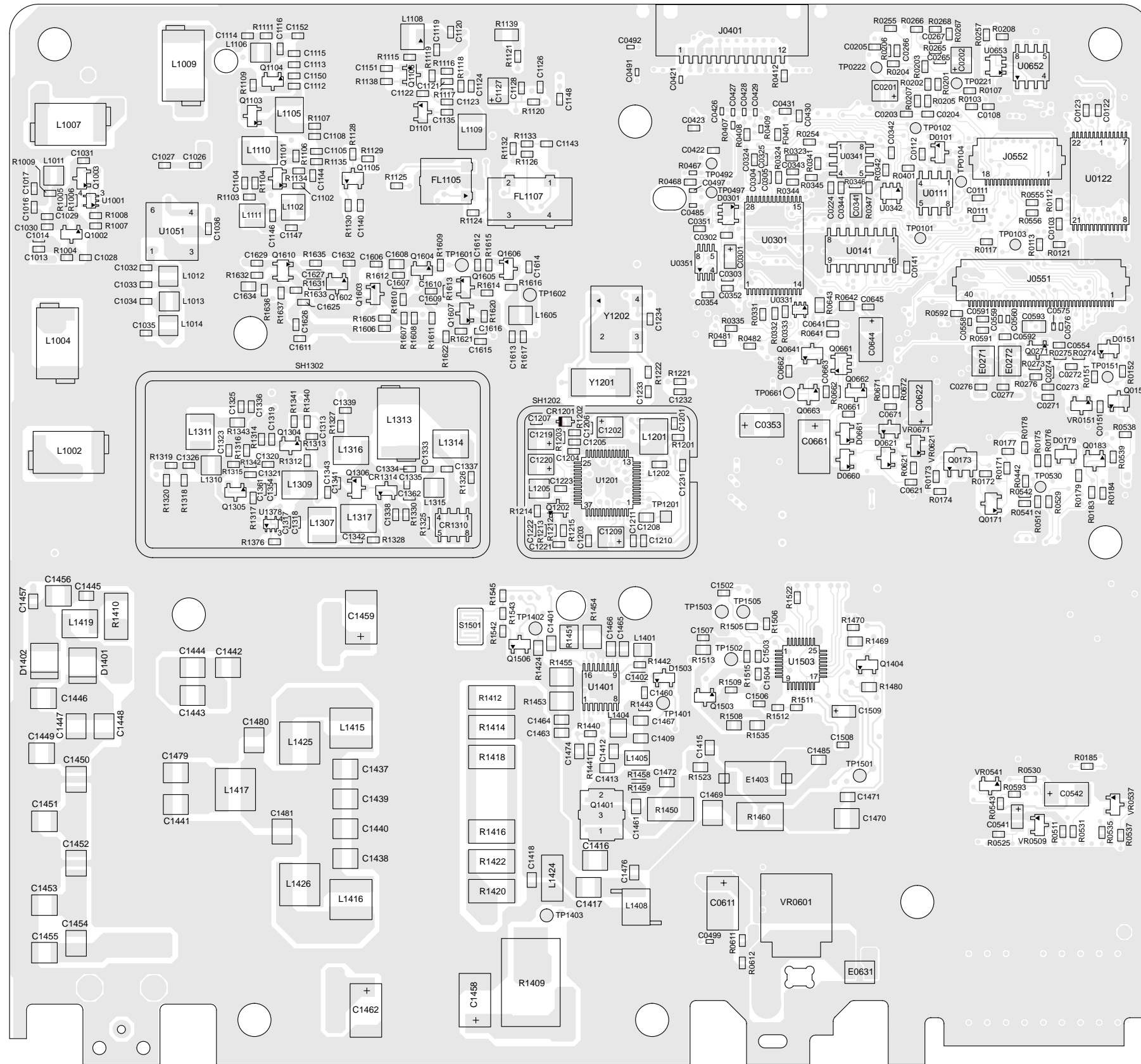
Circuit Ref	Motorola Part No.	Description
R1610	0662057A82	24K
R1611	0662057A49	1K
R1612	0662057A25	100
R1613	0662057A59	2.7K
R1614	0662057A49	1K
R1615	0662057A49	1K
R1616	0662057A33	220
R1617	0662057A57	2.2K
R1620	0662057A51	1.2K
R1621	0662057A68	6.2K
R1622	0662057A49	1K
R1626	0662057A18	51
R1627	0662057A73	10K
R1628	0662057A55	1.8K
R1629	0662057A67	5.6K
R1630	0662057A53	1.5K
R1631	0662057A18	51
R1632	0662057A82	24K
R1635	0662057B47	0
R1636	0662057A42	510
R1637	0662057A59	2.7K
R1638	0662057A55	1.8K
U1001	4802245J50	UMC5N
U1051	5108278X01	MIXER
U1101	5113805A86	MC74HC4066
U1102	5113805A86	MC74HC4066
U1103	5186144B01	SA616
U1201	5185963A27	63A27
U1250	5185963A33	LP2951
U1377	4802245J50	UMC5N
U1378	4802245J50	UMC5N
U1401	5185130C65	30C65
U1402	5113818A03	MC33072
U1501	5185963A15	LM50
U1502	5180932W01	LT1490
U1503	5185765B01	H99S-4
U1601	5180929W01	MC1350
Y1101	4880908W08	08W08
Y1102	9186145B02	45B02
*Y1201	4880114R04	XTAL
Y1202	NOTPLACED	

\* Motorola Depot Servicing only  
Reference designators with an asterisk indicate components which are not fieldreplaceable because they need to be calibrated with specialized factory equipment after installation. Radios in which these parts have been replaced in the field will be off frequency at temperature extremes.

### 4.0 LB Range3, 25-60W PCB 8485908z03 / Schematics



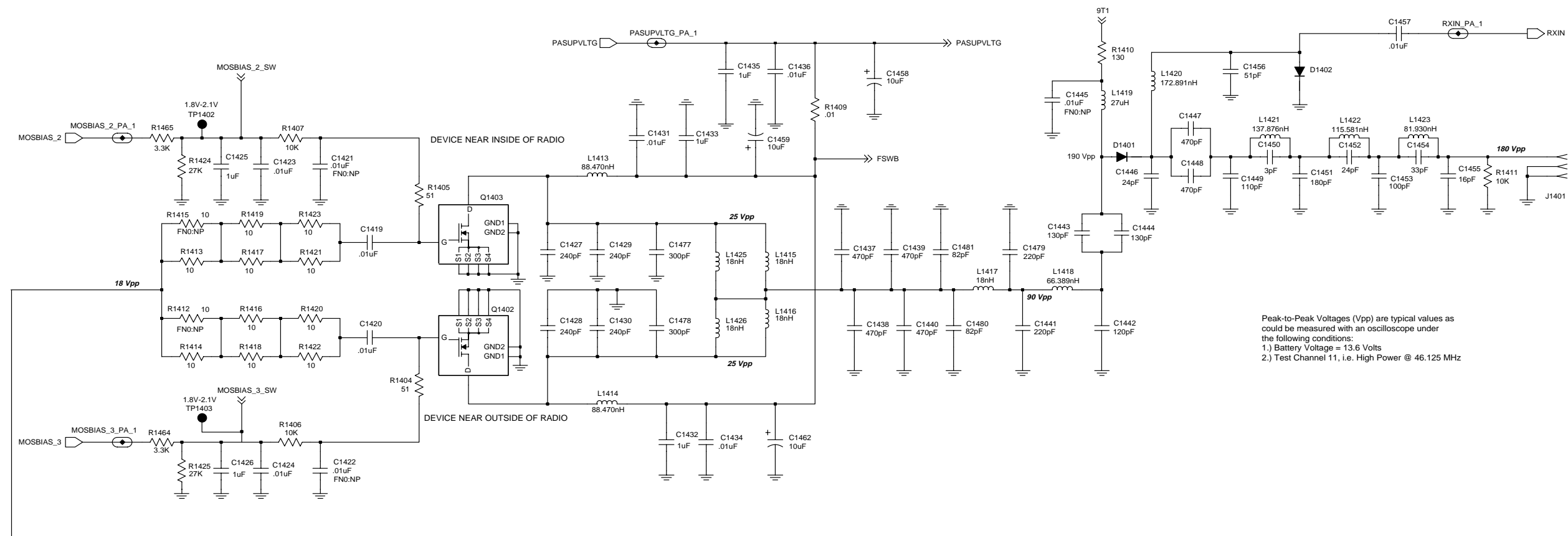
FL0830651-O  
**LB3 (42.0-50.0 MHz)**  
**8485908z03 Top Side**



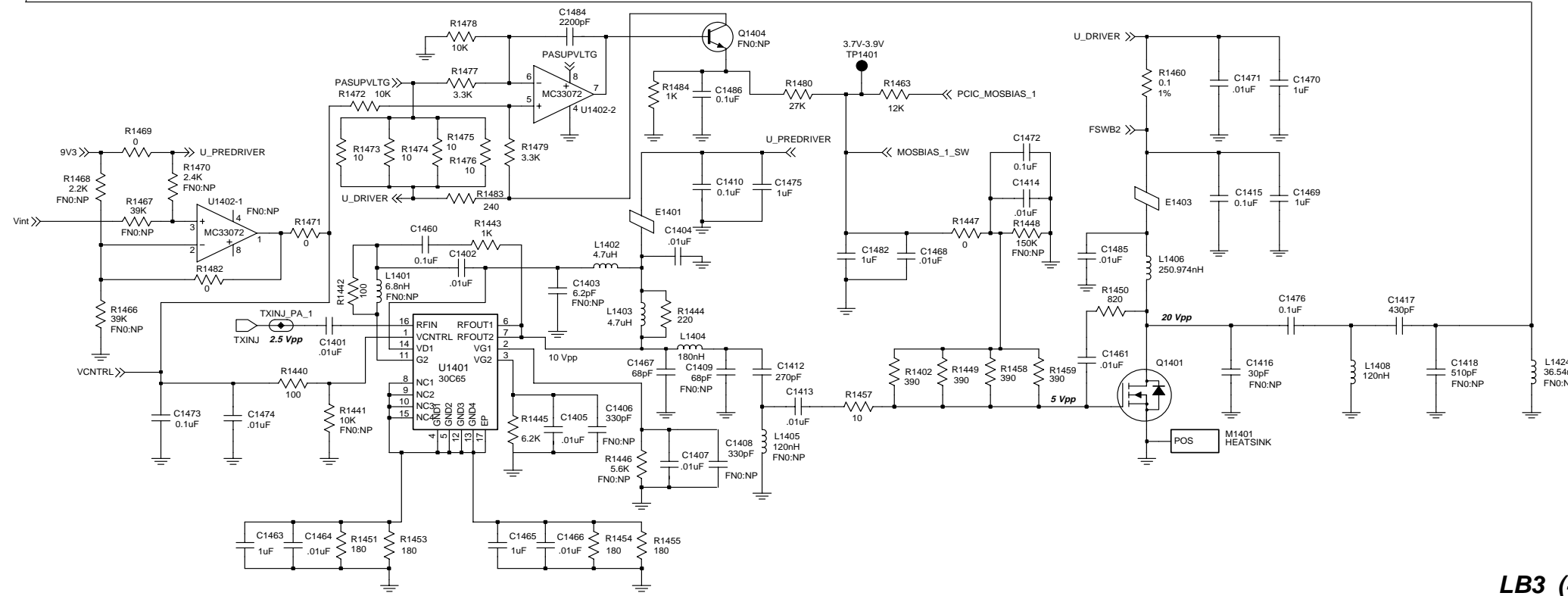
LB3 (42.0-50.0 MHz) 8485908z03 Bot Side

FL0830652-O

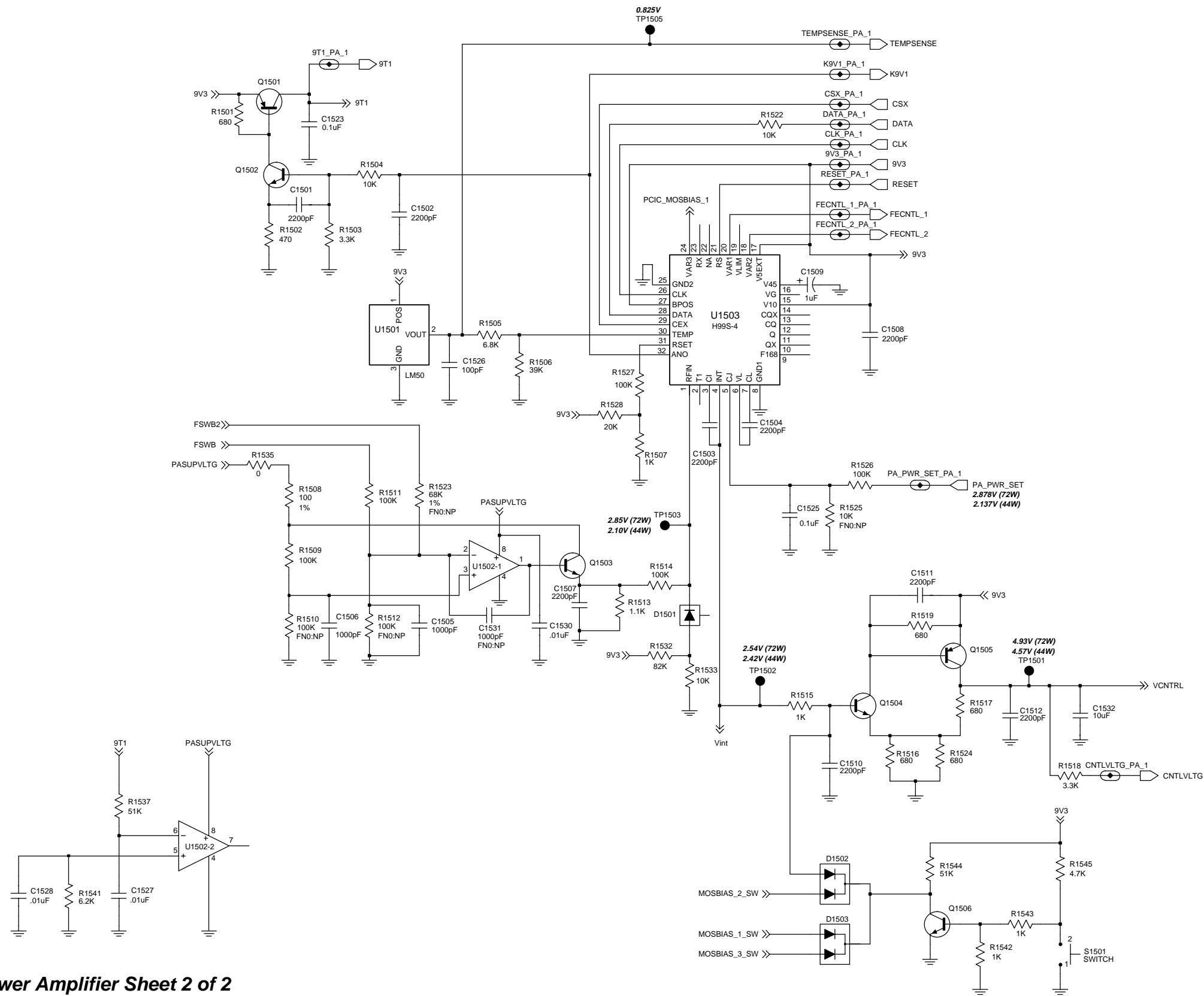




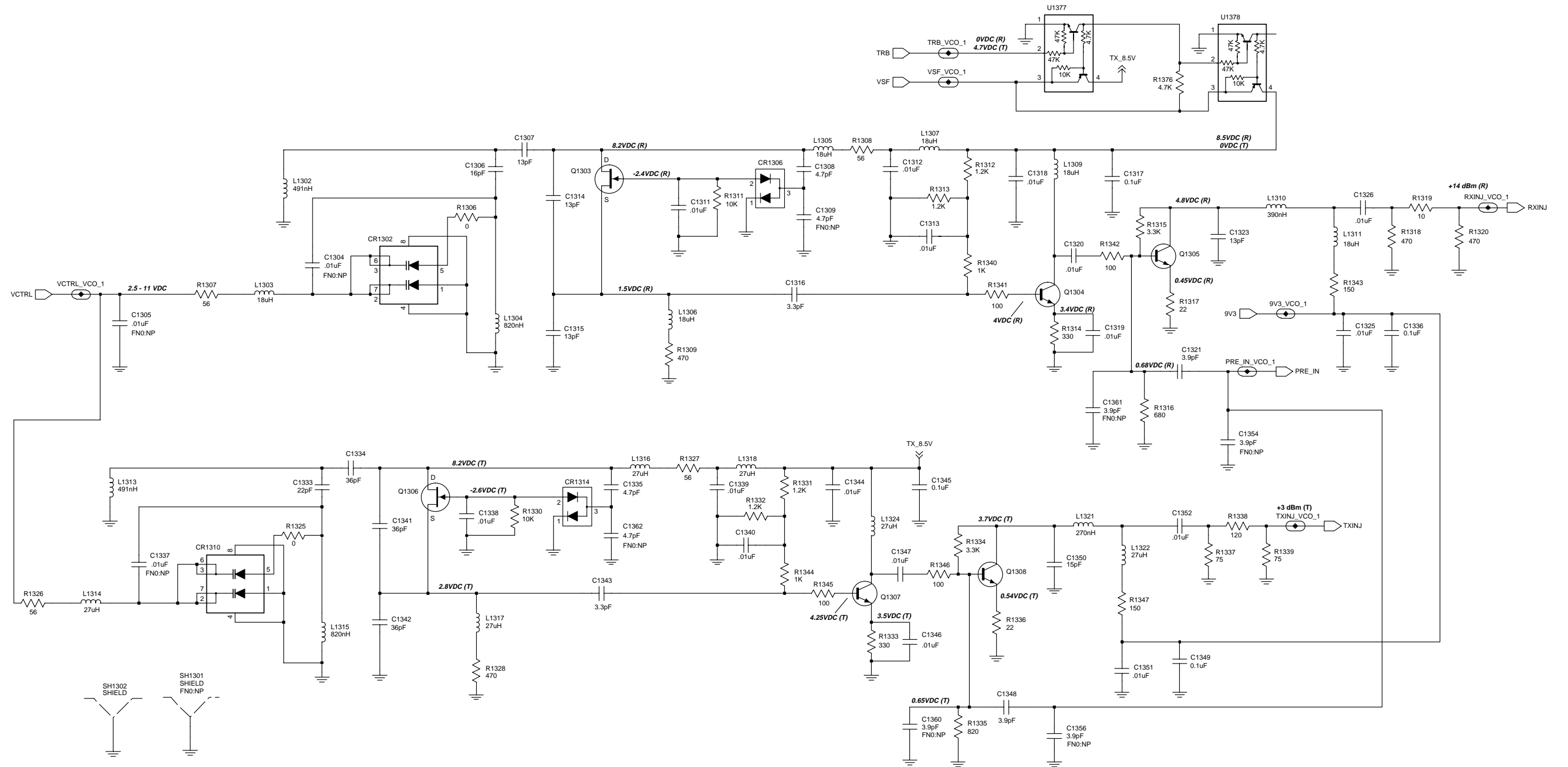
Peak-to-Peak Voltages (Vpp) are typical values as could be measured with an oscilloscope under the following conditions:  
 1.) Battery Voltage = 13.6 Volts  
 2.) Test Channel 11, i.e. High Power @ 46.125 MHz



FL0830695-O

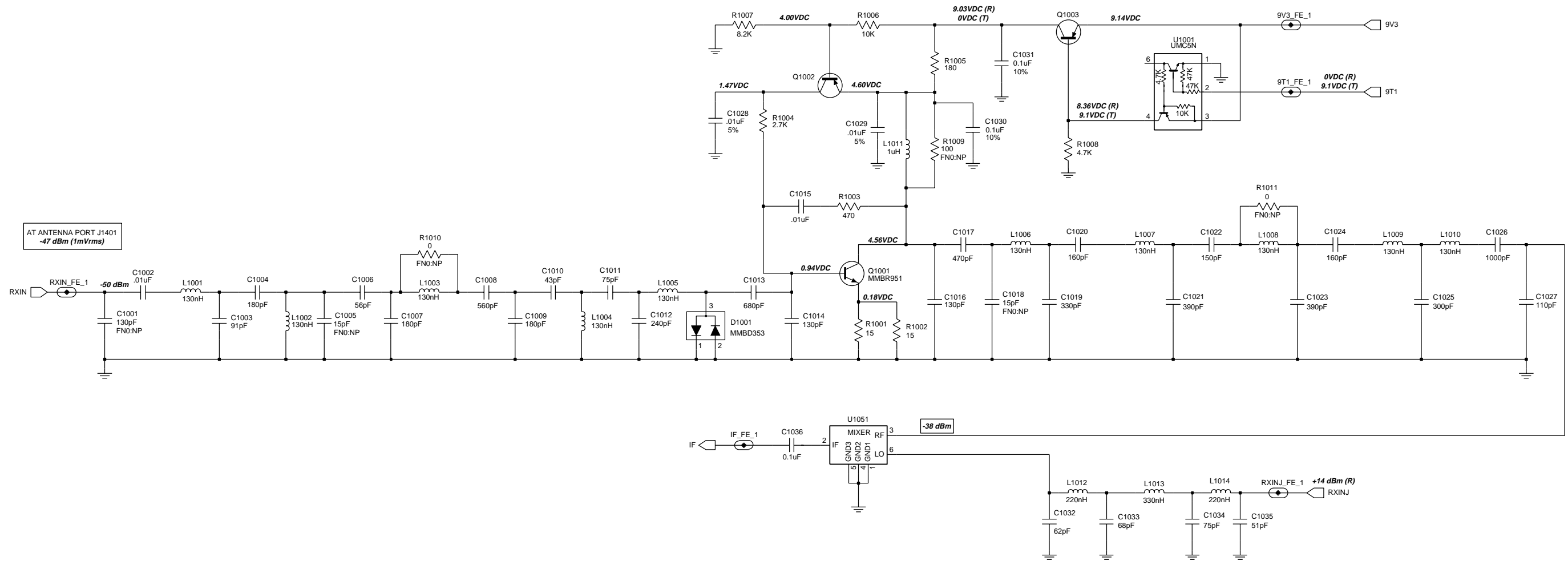


FL0830696-O



FL0830694-O

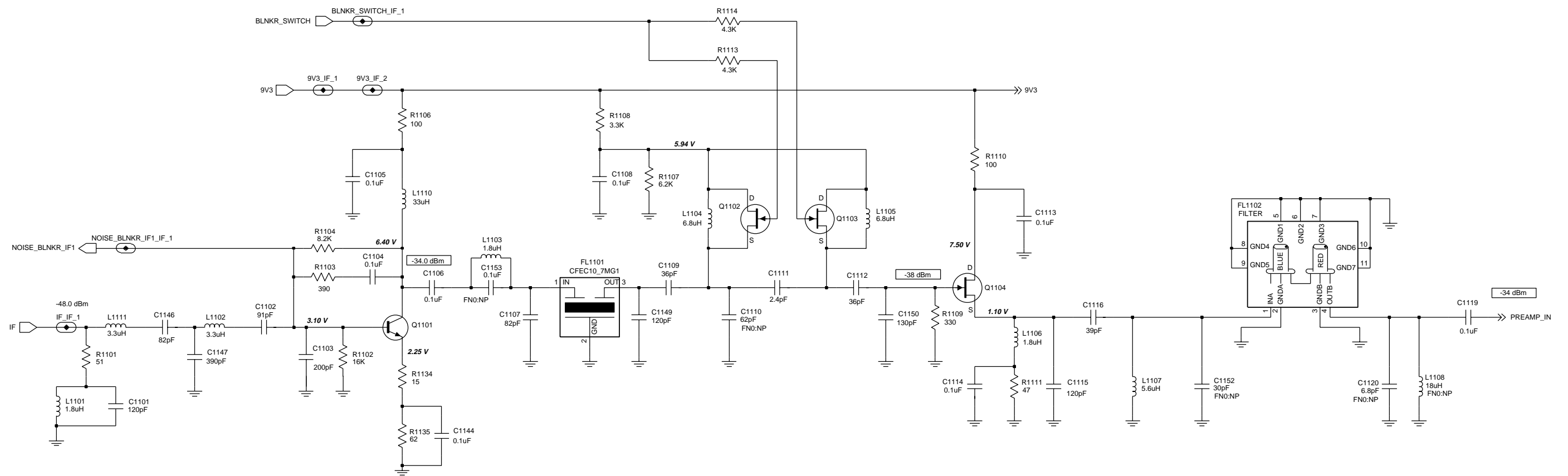
**LB3 (42.0-50.0 MHz) Voltage Controlled Oscillator**



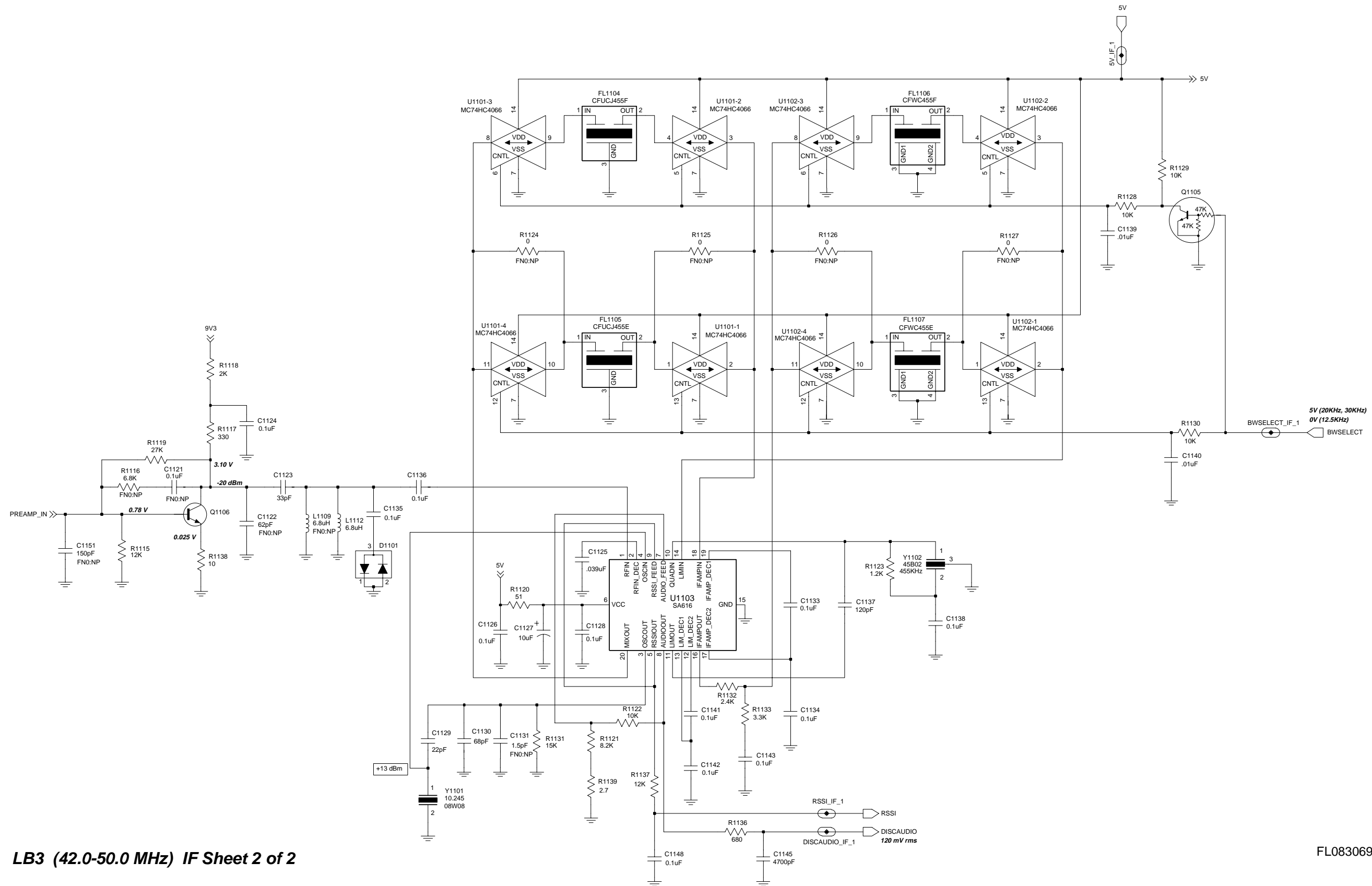
FL0830697-O

**LB3 (42.0-50.0 MHz) Receiver Front End**



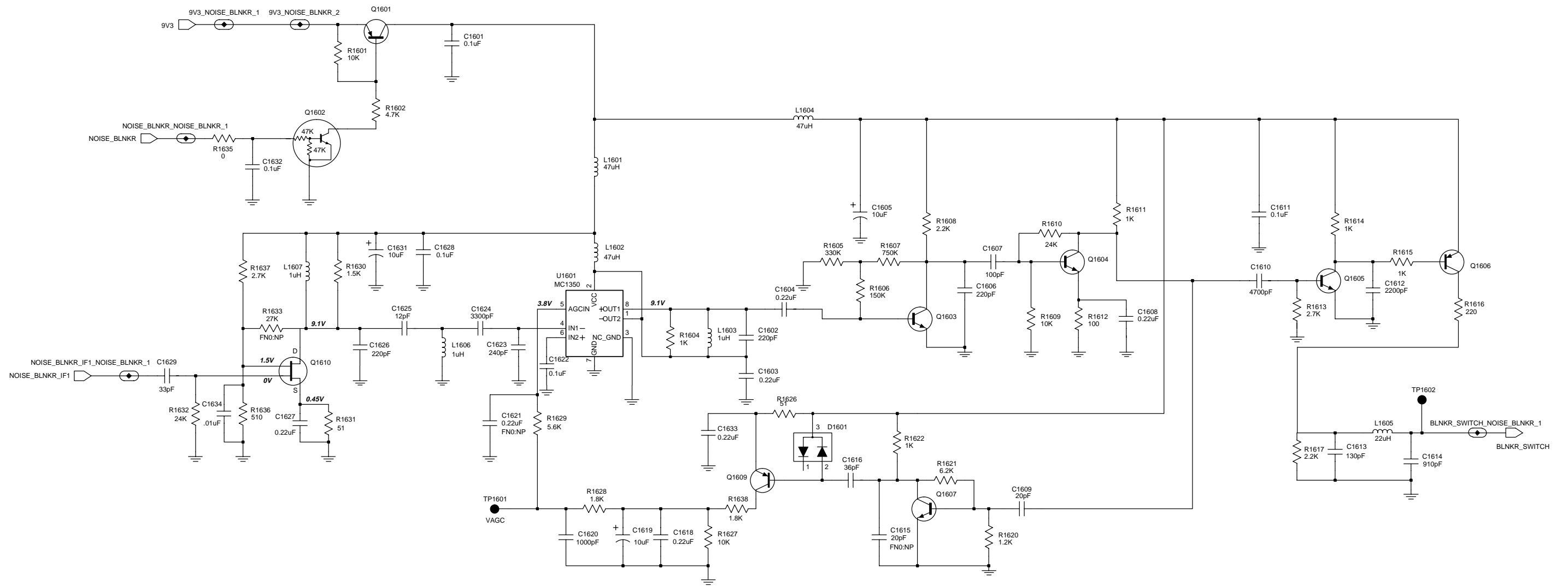


FL0830690-O



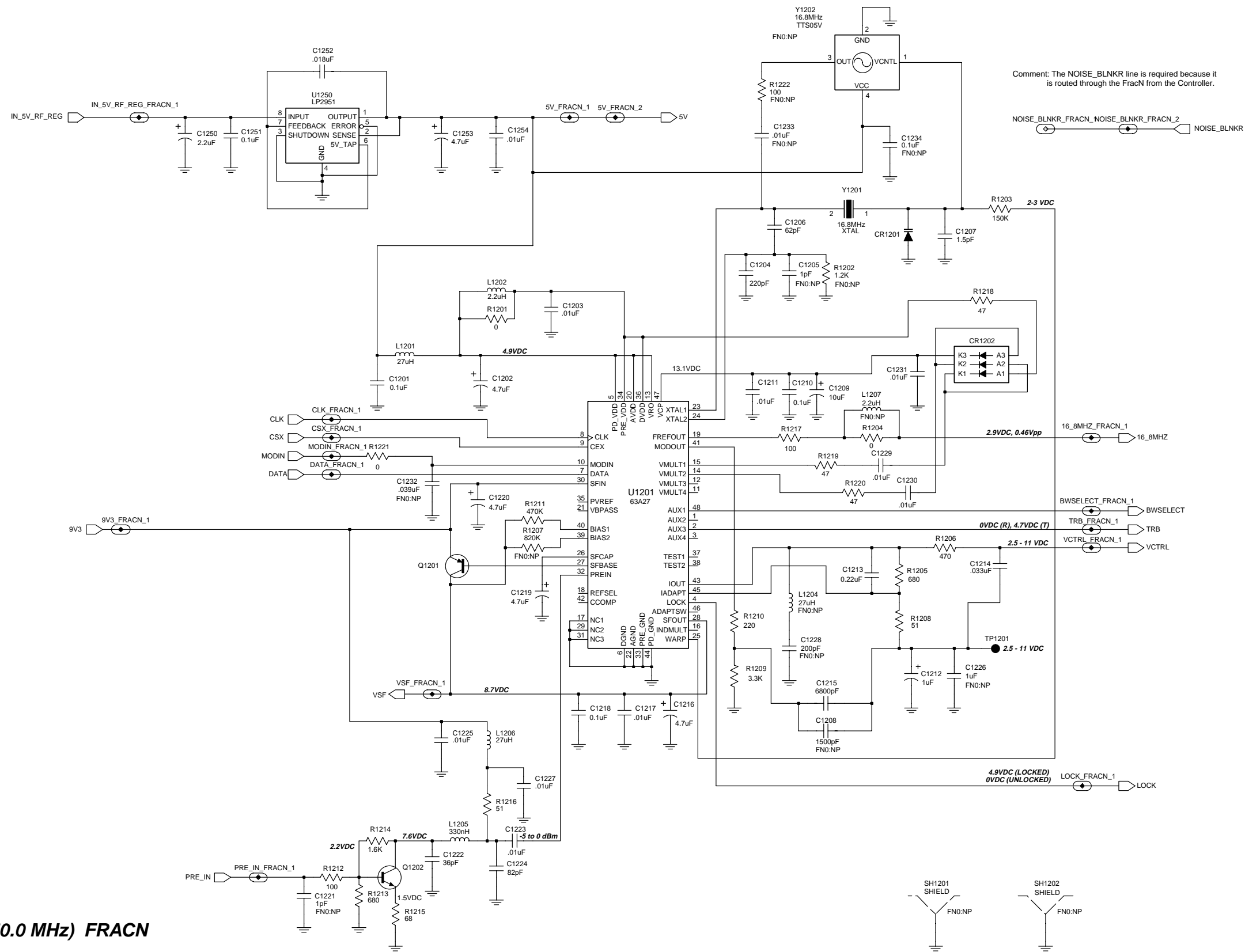
LB3 (42.0-50.0 MHz) IF Sheet 2 of 2

FL0830691-O



FL0830692-O

**LB3 (42.0-50.0 MHz) Noise Blanker**



Comment: The NOISE\_BLNKR line is required because it is routed through the FracN from the Controller.

**4.1 LB3 PCB 8485908z03 Parts List**

Circuit Ref	Motorola Part No.	Description
C1001	NOTPLACED	
C1002	2113741F49	.01uF
C1003	2113740F50	91pF
C1004	2113740F57	180pF
C1006	2113740F45	56pF
C1007	2113740F57	180pF
C1008	2113740F69	560pF
C1009	2113740F57	180pF
C1010	2113740F42	43pF
C1011	2113740F48	75pF
C1012	2113740F60	240pF
C1013	2113741F21	680pF
C1014	2113740F54	130pF
C1015	2113741F49	.01uF
C1016	2113740F54	130pF
C1017	2113740F67	470pF
C1019	2113740F63	330pF
C1020	2113740F56	160pF
C1021	2113740F65	390pF
C1022	2113740F55	150pF
C1023	2113740F65	390pF
C1024	2113740F56	160pF
C1025	2113740F62	300pF
C1026	2113741F25	1000pF
C1027	2113740F52	110pF
C1028	2113741F49	.01uF
C1029	2113741F49	.01uF
C1030	2113743E20	0.1uF
C1031	2113743E20	0.1uF
C1032	2113740F46	62pF
C1033	2113740F47	68pF
C1034	2113740F48	75pF
C1035	2113740F44	51pF
C1036	2113743E20	0.1uF
C1101	2113740F53	120pF
C1102	2113740F50	91pF
C1103	2113740F58	200pF
C1104	2113743E20	0.1uF
C1105	2113743E20	0.1uF
C1106	2113743E20	0.1uF
C1107	2113740F49	82pF
C1108	2113743E20	0.1uF
C1109	2113740F40	36pF
C1111	2113740L03	2.4pF
C1112	2113740F40	36pF
C1113	2113743E20	0.1uF
C1114	2113743E20	0.1uF
C1115	2113740F53	120pF
C1116	2113740F41	39pF
C1119	2113743E20	0.1uF
C1123	2113740F39	33pF
C1124	2113743E20	0.1uF
C1125	2113743E11	.039uF
C1126	2113743E20	0.1uF
C1127	2311049A57	10uF

Circuit Ref	Motorola Part No.	Description
C1128	2113743E20	0.1uF
C1129	2113740F35	22pF
C1130	2113740F47	68pF
C1133	2113743E20	0.1uF
C1134	2113743E20	0.1uF
C1135	2113743E20	0.1uF
C1136	2113743E20	0.1uF
C1137	2113740F53	120pF
C1138	2113743E20	0.1uF
C1139	2113741F49	.01uF
C1140	2113741F49	.01uF
C1141	2113743E20	0.1uF
C1142	2113743E20	0.1uF
C1143	2113743E20	0.1uF
C1144	2113743E20	0.1uF
C1145	2113741F41	4700pF
C1146	2113740F49	82pF
C1147	2113740F65	390pF
C1148	2113743E20	0.1uF
C1149	2113740F53	120pF
C1150	2113740F54	130pF
C1201	2113743E20	0.1uF
C1202	2311049J11	4.7uF
C1203	2113741F49	.01uF
C1204	2113740F59	220pF
C1206	2113740L37	62pF
C1207	2113740F07	1.5pF
C1209	2311049A57	10uF
C1210	2113743E20	0.1uF
C1211	2113741F49	.01uF
C1212	2311049A07	1uF
C1213	2113743A23	0.22uF
C1214	2113743E10	.033uF
C1215	2113740C37	6800pF
C1216	2311049J11	4.7uF
C1217	2113741F49	.01uF
C1218	2113743E20	0.1uF
C1219	2311049J11	4.7uF
C1220	2311049J11	4.7uF
C1222	2113740F40	36pF
C1223	2113741F49	.01uF
C1224	2113740F49	82pF
C1225	2113741F49	.01uF
C1227	2113741F49	.01uF
C1229	2113741F49	.01uF
C1230	2113741F49	.01uF
C1231	2113741F49	.01uF
C1250	2311049A09	2.2uF
C1251	2113743E20	0.1uF
C1252	2113743E05	.018uF
C1253	2311049J11	4.7uF
C1254	2113741F49	.01uF
C1306	2113740L23	16pF
C1307	2113740L21	13pF
C1308	2113740F19	4.7pF
C1311	2113741F49	.01uF

Circuit Ref	Motorola Part No.	Description
C1312	2113741F49	.01uF
C1313	2113741F49	.01uF
C1314	2113740L21	13pF
C1315	2113740L21	13pF
C1316	2113740F15	3.3pF
C1317	2113743E20	0.1uF
C1318	2113741F49	.01uF
C1319	2113741F49	.01uF
C1320	2113741F49	.01uF
C1321	2113740F17	3.9pF
C1323	2113740L21	13pF
C1325	2113741F49	.01uF
C1326	2113741F49	.01uF
C1333	2113740L26	22pF
C1334	2113740L31	36pF
C1335	2113740F19	4.7pF
C1336	2113743E20	0.1uF
C1338	2113741F49	.01uF
C1339	2113741F49	.01uF
C1340	2113741F49	.01uF
C1341	2113740L31	36pF
C1342	2113740L31	36pF
C1343	2113740F15	3.3pF
C1344	2113741F49	.01uF
C1345	2113743E20	0.1uF
C1346	2113741F49	.01uF
C1347	2113741F49	.01uF
C1348	2113740F17	3.9pF
C1349	2113743E20	0.1uF
C1350	2113740F31	15pF
C1351	2113741F49	.01uF
C1352	2113741F49	.01uF
C1401	2113741A45	.01uF
C1402	2113741A45	.01uF
C1404	2113741A45	.01uF
C1405	2113741A45	.01uF
C1407	2113741A45	.01uF
C1410	2113741M69	0.1uF
C1412	2113740A65	270pF
C1413	2113741A45	.01uF
C1414	2113741A45	.01uF
C1415	2113741M69	0.1uF
C1417	2111078B58	430pF
C1419	2113741A45	.01uF
C1420	2113741A45	.01uF
C1423	2113741A45	.01uF
C1424	2113741A45	.01uF
C1425	2113741W01	1uF
C1426	2113741W01	1uF
C1427	2111078B52	240pF
C1428	2111078B52	240pF
C1429	2111078B52	240pF
C1430	2111078B52	240pF
C1431	2113741A45	.01uF
C1432	2113741W01	1uF
C1433	2113741W01	1uF

Circuit Ref	Motorola Part No.	Description
C1434	2113741A45	.01uF
C1435	2113741W01	1uF
C1436	2113741A45	.01uF
C1437	2111078B59	470pF
C1438	2111078B59	470pF
C1439	2111078B59	470pF
C1440	2111078B59	470pF
C1441	2111078B51	220pF
C1442	2111078B44	120pF
C1443	2111078B45	130pF
C1444	2111078B45	130pF
C1446	2180060M28	24pF
C1447	2111078B59	470pF
C1448	2111078B59	470pF
C1449	2180060M44	110pF
C1450	2180060M05	3pF
C1451	2180060M49	180pF
C1452	2180060M28	24pF
C1453	2180060M43	100pF
C1454	2180060M31	33pF
C1455	2180060M24	16pF
C1456	2180060M36	51pF
C1457	2113741A45	.01uF
C1458	2311049C01	10uF
C1459	2311049C01	10uF
C1460	2113743E20	0.1uF
C1461	2113741A45	.01uF
C1462	2311049C01	10uF
C1463	2113928E01	1uF
C1464	2113741A45	.01uF
C1465	2113928E01	1uF
C1466	2113741A45	.01uF
C1467	2113740A51	68pF
C1468	2113741A45	.01uF
C1469	2113741W01	1uF
C1470	2113741W01	1uF
C1471	2113741A45	.01uF
C1472	2113741M69	0.1uF
C1473	2113741M69	0.1uF
C1474	2113741A45	.01uF
C1475	2113741W01	1uF
C1476	2113741M69	0.1uF
C1477	2111078B54	300pF
C1478	2111078B54	300pF
C1479	2111078B51	220pF
C1480	2111078B40	82pF
C1481	2111078B40	82pF
C1482	2113928E01	1uF
C1484	2113741F33	2200pF
C1485	2113741A45	.01uF
C1486	2113741M69	0.1uF
C1501	2113741F33	2200pF
C1502	2113741F33	2200pF
C1503	2113741F33	2200pF
C1504	2113741F33	2200pF
C1505	2113741F25	1000pF

Circuit Ref	Motorola Part No.	Description
C1506	2113741F25	1000pF
C1507	2113741F33	2200pF
C1508	2113741F33	2200pF
C1509	2311049A07	1uF
C1510	2113741F33	2200pF
C1511	2113741F33	2200pF
C1512	2113741F33	2200pF
C1523	2113743E20	0.1uF
C1525	2113743E20	0.1uF
C1526	2113740F51	100pF
C1527	2113741A45	.01uF
C1528	2113741A45	.01uF
C1530	2113741A45	.01uF
C1532	2113743T19	10uF
C1601	2113743E20	0.1uF
C1602	2113740F59	220pF
C1603	2113743A23	0.22uF
C1604	2113743A23	0.22uF
C1605	2311049A57	10uF
C1606	2113740F59	220pF
C1607	2113740F51	100pF
C1608	2113743A23	0.22uF
C1609	2113740F34	20pF
C1610	2113741F41	4700pF
C1611	2113743E20	0.1uF
C1612	2113741F33	2200pF
C1613	2113740F54	130pF
C1614	2113741F24	910pF
C1616	2113740F40	36pF
C1618	2113743A23	0.22uF
C1619	2311049A57	10uF
C1620	2113741F25	1000pF
C1622	2113743E20	0.1uF
C1623	2113740F60	240pF
C1624	2113741F37	3300pF
C1625	2113740F29	12pF
C1626	2113740F59	220pF
C1627	2113743A23	0.22uF
C1628	2113743E20	0.1uF
C1629	2113740F39	33pF
C1631	2311049A57	10uF
C1632	2113743E20	0.1uF
C1633	2113743A23	0.22uF
C1634	2113741A45	.01uF
CR1201	4802245J22	1T363
CR1202	4802233J09	IMN10
CR1302	4805649Q14	HN1V02H
CR1306	4880154K03	MMBD353
CR1310	4805649Q14	HN1V02H
CR1314	4880154K03	MMBD353
D1001	4880154K03	MMBD353
D1101	4880154K03	MMBD353
D1401	4808379X02	MA4P1450
D1402	4808379X02	MA4P1450
D1501	4880236E05	MMBD301
D1502	4813833C02	MMBD6100

Circuit Ref	Motorola Part No.	Description
D1503	4813833C02	MMBD6100
D1601	4880154K03	MMBD353
E1401	2408380X02	FERRITE BEAD
E1403	2408380X02	FERRITE BEAD
FL1101	9180656U03	CFEC10_7MG1
FL1102	9180022M09	CRYSTAL FILTER, 10.7 MHZ
FL1104	9180468V04	CFUCJ455F
FL1105	9180468V05	CFUCJ455E
FL1106	9180469V04	CFWC455F
FL1107	9180469V05	CFWC455E
J1401	0986166B02	MINI-U ANTENNA CONN
L1001	2408382A11	130nH
L1002	2408382C11	130nH
L1003	2408382A11	130nH
L1004	2408382C11	130nH
L1005	2408382A11	130nH
L1006	2408382A11	130nH
L1007	2408382C11	130nH
L1008	2408382A11	130nH
L1009	2408382C11	130nH
L1010	2408382A11	130nH
L1011	2462587N68	1uH
L1012	2462587N57	220nH
L1013	2462587N59	330nH
L1014	2462587N57	220nH
L1101	2462587N33	1.8uH
L1102	2408383X07	3.3uH
L1103	2462587N33	1.8uH
L1104	2480289M10	6.8uH
L1105	2480289M10	6.8uH
L1106	2462587N33	1.8uH
L1107	2480289M09	5.6uH
L1110	2480289M18	33uH
L1111	2408383X07	3.3uH
L1112	2483411T35	6.8uH
L1201	2480289M17	27uH
L1202	2462587Q20	2.2uH
L1205	2462587N59	330nH
L1206	2480289M17	27uH
L1302	2408382D19	491nH
L1303	2480289M15	18uH
L1304	2462587N66	820nH
L1305	2480289M15	18uH
L1306	2480289M15	18uH
L1307	2480289M15	18uH
L1309	2480289M15	18uH
L1310	2462587N60	390nH
L1311	2480289M15	18uH
L1313	2408382D19	491nH
L1314	2480289M17	27uH
L1315	2462587N66	820nH
L1316	2480289M17	27uH
L1317	2480289M17	27uH
L1318	2480289M17	27uH
L1321	2462587N58	270nH
L1322	2480289M17	27uH

Circuit Ref	Motorola Part No.	Description
L1324	2480289M17	27uH
L1402	2462587U09	4.7uH
L1403	2462587U09	4.7uH
L1404	2462587N56	180nH
L1406	2408381X36	250.974nH
L1408	2408384A10	120nH
L1413	2408381X17	88.470nH
L1414	2408381X17	88.470nH
L1415	2460591X01	18nH
L1416	2460591X01	18nH
L1417	2460591X01	18nH
L1418	2408381X12	66.389nH
L1419	2480289M17	27uH
L1420	2408381X29	172.891nH
L1421	2408381X25	137.876nH
L1422	2408381X22	115.581nH
L1423	2408381X16	81.930nH
L1425	2460591X01	18nH
L1426	2460591X01	18nH
L1601	2483411T45	47uH
L1602	2483411T45	47uH
L1603	2483411T73	1uH
L1604	2483411T45	47uH
L1605	2483411T41	22uH
L1606	2462587T30	1uH
L1607	2462587T30	1uH
M1401	2686201B01	HEATSINK
Q1001	4880173R01	MMBR951
Q1002	4813824A17	MMBT3906
Q1003	4813824A17	MMBT3906
Q1101	4813827A07	MMBR941
Q1102	4813823A05	MMBFU310L
Q1103	4813823A05	MMBFU310L
Q1104	4813823A05	MMBFU310L
Q1105	4880048M01	DTC144EKA
Q1106	4813827A07	MMBR941
Q1201	4813824A17	MMBT3906
Q1202	4880173R01	MMBR951
Q1303	4884235R02	MMBFU310
Q1304	4880173R01	MMBR951
Q1305	4880173R01	MMBR951
Q1306	4884235R02	MMBFU310
Q1307	4880173R01	MMBR951
Q1308	4880173R01	MMBR951
Q1401	4886212B01	MRF1518
Q1402	4886136B01	MRF1550
Q1403	4886136B01	MRF1550
Q1501	4880141L03	BCW68G
Q1502	4813824A10	MMBT3904
Q1503	4813824A10	MMBT3904
Q1504	4813824A10	MMBT3904
Q1505	4813824A17	MMBT3906
Q1506	4813824A10	MMBT3904
Q1601	4813824A17	MMBT3906
Q1602	4880048M01	DTC144EKA
Q1603	4813824A10	MMBT3904

Circuit Ref	Motorola Part No.	Description
Q1604	4813824A10	MMBT3904
Q1605	4813824A10	MMBT3904
Q1606	4813824A17	MMBT3906
Q1607	4813824A10	MMBT3904
Q1609	4813824A17	MMBT3906
Q1610	4805585Q17	NE25139
R1001	0662057A05	15
R1002	0662057A05	15
R1003	0662057A41	470
R1004	0662057A59	2.7K
R1005	0662057A31	180
R1006	0662057A73	10K
R1007	0662057A71	8.2K
R1008	0662057A65	4.7K
R1101	0662057A18	51
R1102	0662057A78	16K
R1103	0662057A39	390
R1104	0662057A71	8.2K
R1106	0662057A25	100
R1107	0662057A68	6.2K
R1108	0662057A61	3.3K
R1109	0662057A37	330
R1110	0662057A25	100
R1111	0662057A17	47
R1113	0662057A64	4.3K
R1114	0662057A64	4.3K
R1115	0662057A75	12K
R1117	0662057A37	330
R1118	0662057A56	2K
R1119	0662057A83	27K
R1120	0662057A18	51
R1121	0662057A71	8.2K
R1122	0662057A73	10K
R1123	0662057A51	1.2K
R1128	0662057A73	10K
R1129	0662057A73	10K
R1130	0662057A73	10K
R1131	0662057A77	15K
R1132	0662057A58	2.4K
R1133	0662057A61	3.3K
R1134	0662057A05	15
R1135	0662057A20	62
R1136	0662057A45	680
R1137	0662057A75	12K
R1138	0662057A01	10
R1139	0611077A12	2.7
R1201	0662057B47	0
R1202	NOTPLACED	
R1203	0662057B02	150K
R1204	0662057B47	0
R1205	0662057A45	680
R1206	0662057A41	470
R1208	0662057A18	51
R1209	0662057A61	3.3K
R1210	0662057A33	220
R1211	0662057B14	470K

Circuit Ref	Motorola Part No.	Description
R1212	0662057A25	100
R1213	0662057A45	680
R1214	0662057A54	1.6K
R1215	0662057A21	68
R1216	0662057A18	51
R1217	0662057A25	100
R1218	0662057A17	47
R1219	0662057A17	47
R1220	0662057A17	47
R1221	0662057B47	0
R1306	0662057B47	0
R1307	0662057A19	56
R1308	0662057A19	56
R1309	0662057A41	470
R1311	0662057A73	10K
R1312	0662057A51	1.2K
R1313	0662057A51	1.2K
R1314	0662057A37	330
R1315	0662057A61	3.3K
R1316	0662057A45	680
R1317	0662057A09	22
R1318	0662057A41	470
R1319	0662057A01	10
R1320	0662057A41	470
R1325	0662057B47	0
R1326	0662057A19	56
R1327	0662057A19	56
R1328	0662057A41	470
R1330	0662057A73	10K
R1331	0662057A51	1.2K
R1332	0662057A51	1.2K
R1333	0662057A37	330
R1334	0662057A61	3.3K
R1335	0662057A47	820
R1336	0662057A09	22
R1337	0662057A22	75
R1338	0662057A27	120
R1339	0662057A22	75
R1340	0662057A49	1K
R1341	0662057A25	100
R1342	0662057A25	100
R1343	0662057C55	150
R1344	0662057A49	1K
R1345	0662057A25	100
R1346	0662057A25	100
R1347	0662057C55	150
R1376	0662057A65	4.7K
R1402	0611079A64	390
R1404	0680194M18	51
R1405	0680194M18	51
R1406	0662057A73	10K
R1407	0662057A73	10K
R1409	0682089V01	.01
R1410	0683962T52	130
R1411	0662057C99	10K
R1413	0680194M01	10

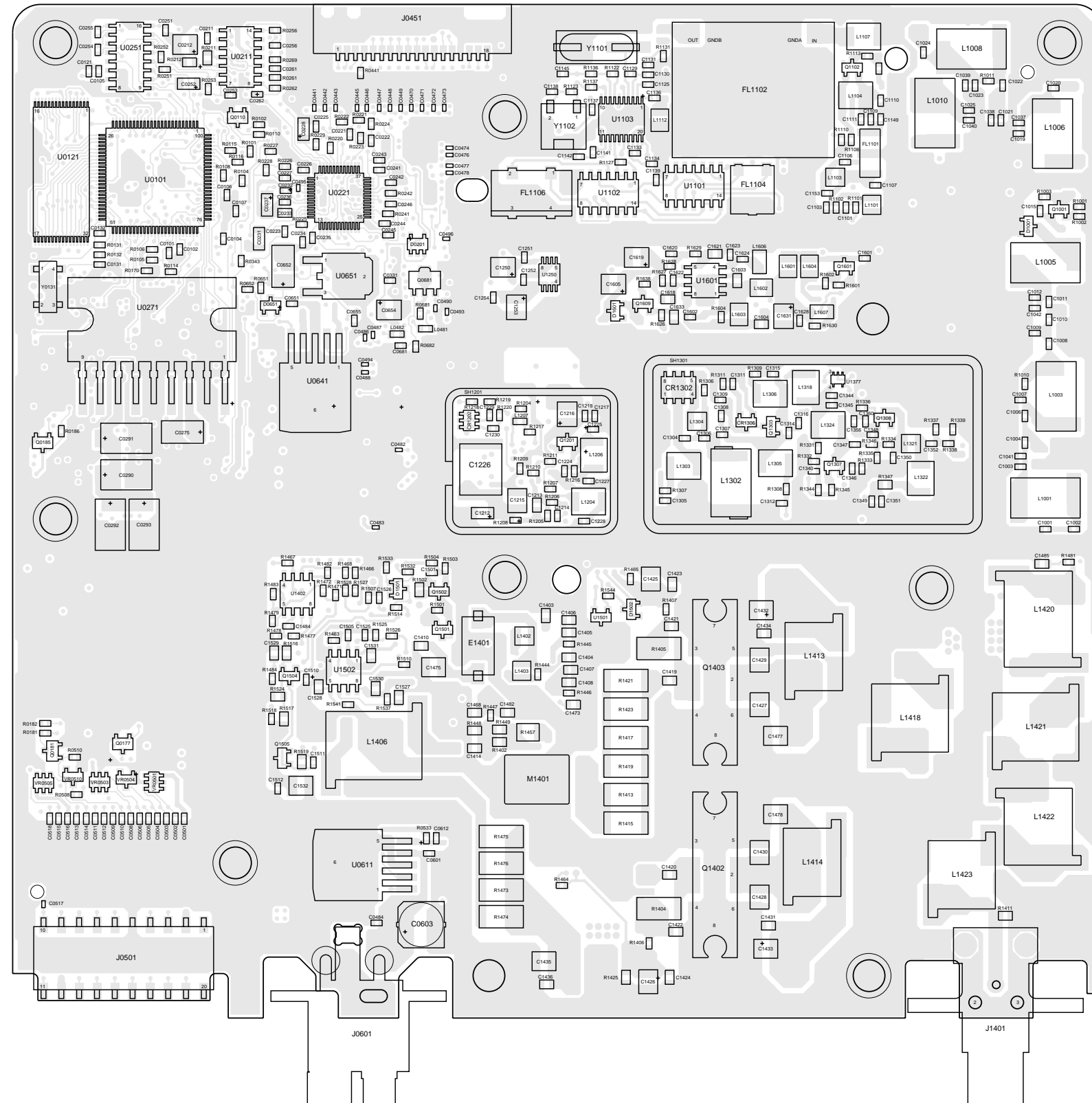
Circuit Ref	Motorola Part No.	Description
R1414	0680194M01	10
R1416	0680194M01	10
R1417	0680194M01	10
R1418	0680194M01	10
R1419	0680194M01	10
R1420	0680194M01	10
R1421	0680194M01	10
R1422	0680194M01	10
R1423	0680194M01	10
R1424	0662057D10	27K
R1425	0662057D10	27K
R1440	0662057A25	100
R1442	0662057A25	100
R1443	0662057A49	1K
R1444	0662057A33	220
R1445	0662057A68	6.2K
R1447	0662057B47	0
R1449	0611079A64	390
R1450	0683962T71	820
R1451	0662057K31	180
R1453	0662057K31	180
R1454	0662057K31	180
R1455	0662057K31	180
R1457	0662057K01	10
R1458	0611079A64	390
R1459	0611079A64	390
R1460	0680106R01	0.1
R1463	0662057A75	12K
R1464	0662057A61	3.3K
R1465	0662057A61	3.3K
R1469	0662057C01	0
R1472	0662057A73	10K
R1473	0680194M01	10
R1474	0680194M01	10
R1475	0680194M01	10
R1476	0680194M01	10
R1477	0662057A61	3.3K
R1478	0662057A73	10K
R1479	0662057A61	3.3K
R1480	0662057D10	27K
R1482	0662057B47	0
R1483	0662057A34	240
R1484	0662057A49	1K
R1501	0662057A45	680
R1502	0662057C67	470
R1503	0662057A61	3.3K
R1504	0662057A73	10K
R1505	0662057A69	6.8K
R1506	0662057A87	39K
R1507	0662057A49	1K
R1508	0662057R19	100
R1509	0662057P95	100K
R1511	0662057P95	100K
R1513	0662057C76	1.1K
R1514	0662057A97	100K
R1515	0662057A49	1K

Circuit Ref	Motorola Part No.	Description
R1516	0662057C71	680
R1517	0662057C71	680
R1518	0662057A61	3.3K
R1519	0662057C71	680
R1522	0662057A73	10K
R1524	0662057C71	680
R1526	0662057A97	100K
R1527	0662057A97	100K
R1528	0662057A80	20K
R1532	0662057A95	82K
R1533	0662057A73	10K
R1535	0662057C01	0
R1537	0662057A90	51K
R1541	0662057A68	6.2K
R1542	0662057A49	1K
R1543	0662057A49	1K
R1544	0662057A90	51K
R1545	0662057A65	4.7K
R1601	0662057A73	10K
R1602	0662057A65	4.7K
R1604	0662057A49	1K
R1605	0662057B10	330K
R1606	0662057B02	150K
R1607	0662057B19	750K
R1608	0662057A57	2.2K
R1609	0662057A73	10K
R1610	0662057A82	24K
R1611	0662057A49	1K
R1612	0662057A25	100
R1613	0662057A59	2.7K
R1614	0662057A49	1K
R1615	0662057A49	1K
R1616	0662057A33	220
R1617	0662057A57	2.2K
R1620	0662057A51	1.2K
R1621	0662057A68	6.2K
R1622	0662057A49	1K
R1626	0662057A18	51
R1627	0662057A73	10K
R1628	0662057A55	1.8K
R1629	0662057A67	5.6K
R1630	0662057A53	1.5K
R1631	0662057A18	51
R1632	0662057A82	24K
R1635	0662057B47	0
R1636	0662057A42	510
R1637	0662057A59	2.7K
R1638	0662057A55	1.8K
SH1302	2680473U01	VCO SHIELD
U1001	4802245J50	UMC5N
U1051	5108278X01	MIXER
U1101	5113805A86	MC74HC4066
U1102	5113805A86	MC74HC4066
U1103	5186144B01	SA616
U1201	5185963A27	FRACN SYNTHESIZER
U1250	5185963A33	LP2951

Circuit Ref	Motorola Part No.	Description
U1377	4802245J50	UMC5N
U1378	4802245J50	UMC5N
U1401	5185130C65	LDMOS PREDRIVER IC
U1402	5113818A03	MC33072
U1501	5185963A15	LM50
U1502	5109731C21	LM6142BIM
U1503	5185765B28	POWER CONTROL IC
U1601	5180929W01	MC1350
Y1101	4880908W08	CRYSTAL, 10.245 MHZ
Y1102	9186145B02	DISCRIMINATOR, 455 KHZ
Y1201	4880114R04	CRYSTAL, 16.8 MHZ
Y1202	NOTPLACED	

\* Motorola Depot Servicing only  
 Reference designators with an asterisk indicate components which are not fieldreplaceable because they need to be calibrated with specialized factory equipment after installation. Radios in which these parts have been replaced in the field will be off frequency at temperature extremes.

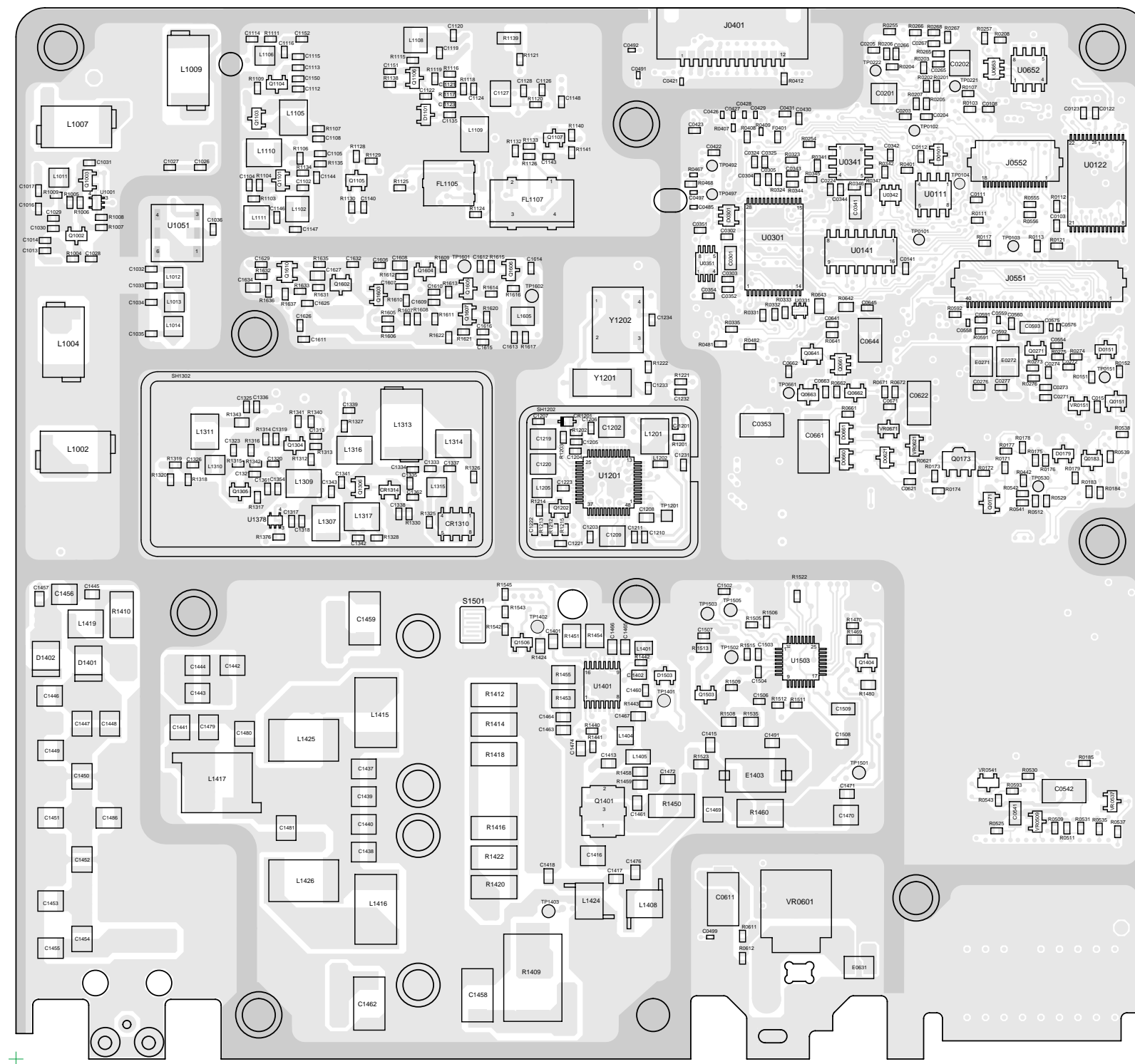
### 5.0 LB Range1, 25-60W PCB 8486206B08 / Schematics



ZWG0131043-O

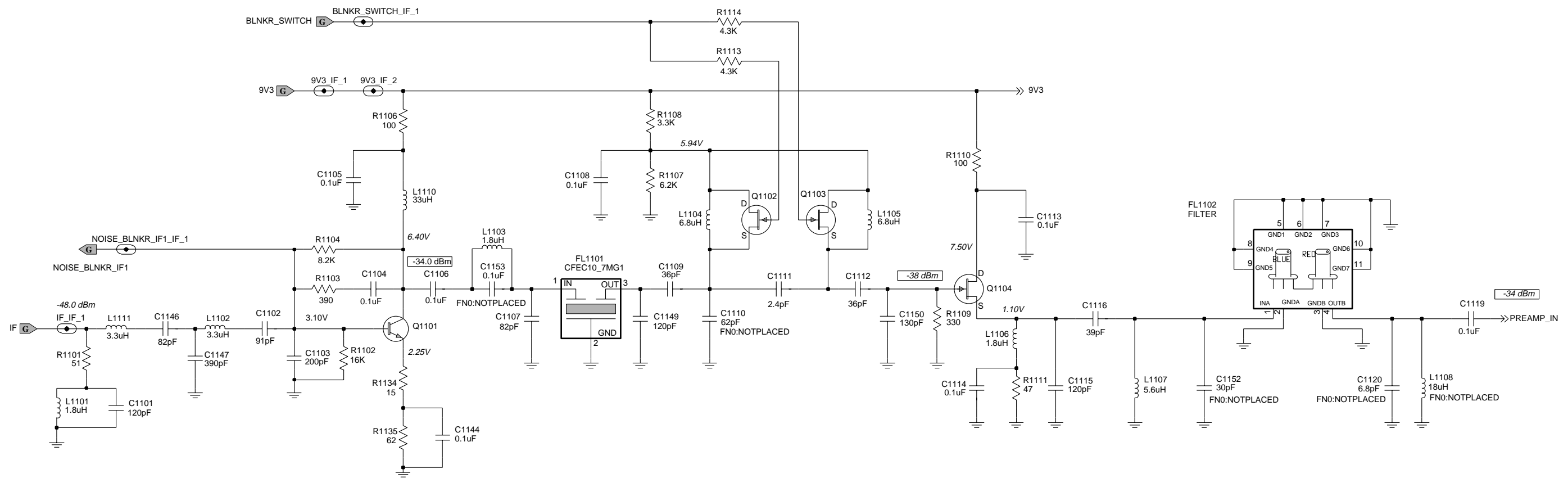
**LB1 (29.7-36.0 MHz)  
8486206B08 Top Side**



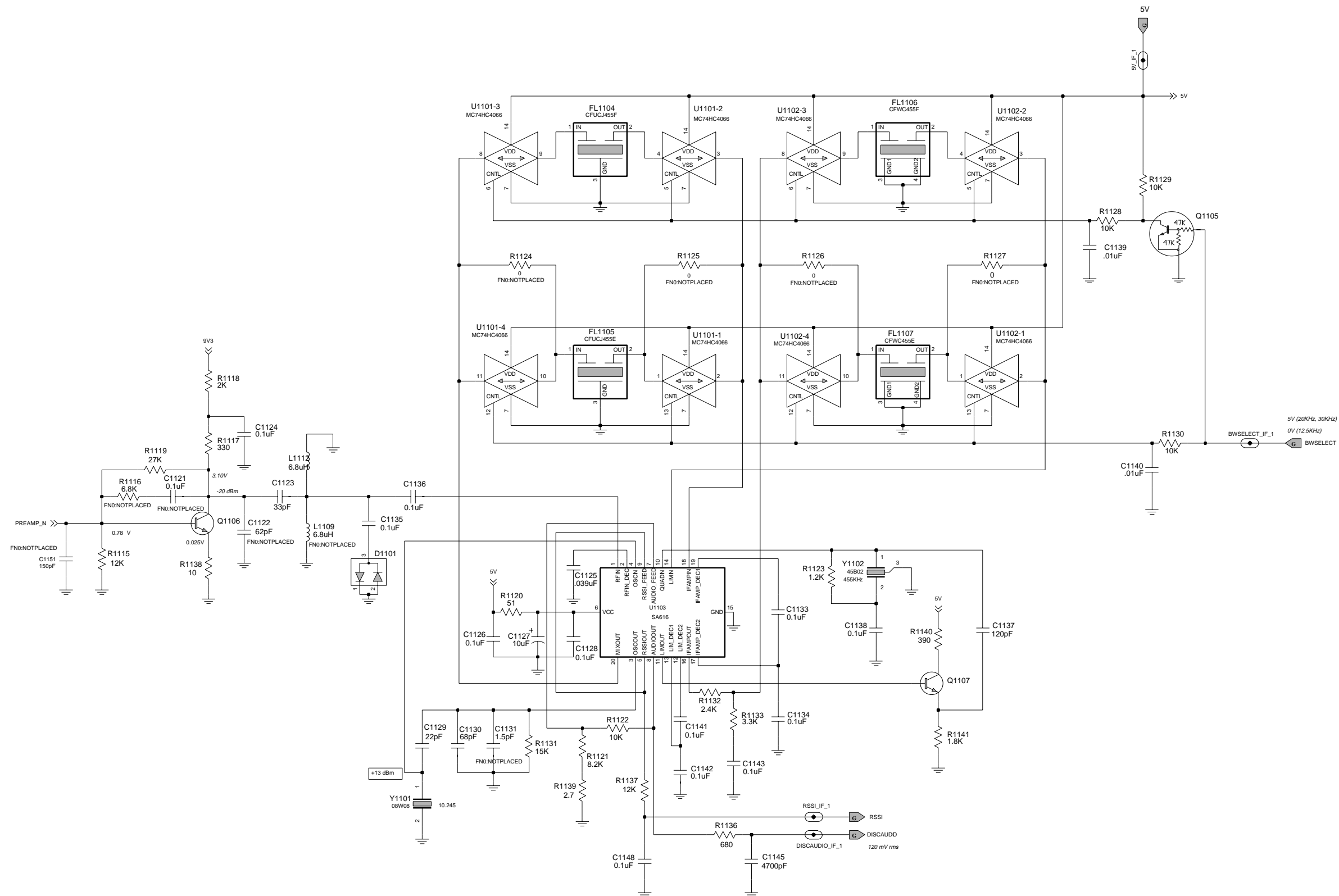


**LB1 (29.7-36.0 MHz) 8486206B08 Bot Side**

ZWG0131044-O



ZWG0131051-O



ZWG0131052-O

## 5.1 LB1 PCB 8486206B08 Parts List

Circuit Ref	Motorola Part No.	Description
C1001	2113740F59	CAP, 220pF
C1002	2113743E20	CAP, 0.1uF
C1003	2113740F59	CAP, 220pF
C1004	2113740F56	CAP, 160pF
C1006	2113740F50	CAP, 91pF
C1007	2113740F62	CAP, 300pF
C1008	2113743E20	CAP, 0.1uF
C1009	2113740F61	CAP, 270pF
C1010	2113740F49	CAP, 82pF
C1011	2113740F57	CAP, 180pF
C1012	2113740F59	CAP, 220pF
C1013	2113743E20	CAP, 0.1uF
C1014	2113740F59	CAP, 220pF
C1015	2113741F49	CAP, .01uF
C1016	2113740F58	CAP, 200pF
C1017	2113741F49	CAP, .01uF
C1019	2113740F61	CAP, 270pF
C1020	2113740F64	CAP, 360pF
C1021	2113740F64	CAP, 360pF
C1022	2113740F62	CAP, 300pF
C1023	2113740F64	CAP, 360pF
C1024	2113740F63	CAP, 330pF
C1025	2113740F61	CAP, 270pF
C1026	2113741F49	CAP, .01uF
C1027	2113740F57	CAP, 180pF
C1028	2113741F49	CAP, .01uF
C1029	2113741F49	CAP, .01uF
C1030	2113743E20	CAP, 0.1uF
C1031	2113743E20	CAP, 0.1uF
C1032	2113740F51	CAP, 100pF
C1033	2113740F53	CAP, 120pF
C1034	2113740F54	CAP, 130pF
C1035	2113740F50	CAP, 91pF
C1036	2113743E20	CAP, 0.1uF
C1037	2113740F62	CAP, 300pF
C1038	2113740F65	CAP, 390pF
C1039	2113740F65	CAP, 390pF
C1040	2113740F62	CAP, 300pF
C1041	2113740F59	CAP, 220pF
C1042	2113740F59	CAP, 220pF
C1101	2113740F53	CAP, 120pF
C1102	2113740F50	CAP, 91pF
C1103	2113740F58	CAP, 200pF
C1104	2113743E20	CAP, 0.1uF
C1105	2113743E20	CAP, 0.1uF
C1106	2113743E20	CAP, 0.1uF
C1107	2113740F49	CAP, 82pF
C1108	2113743E20	CAP, 0.1uF
C1109	2113740F40	CAP, 36pF
C1111	2113740L03	CAP, 2.4pF

Circuit Ref	Motorola Part No.	Description
C1112	2113740F40	CAP, 36pF
C1113	2113743E20	CAP, 0.1uF
C1114	2113743E20	CAP, 0.1uF
C1115	2113740F53	CAP, 120pF
C1116	2113740F41	CAP, 39pF
C1119	2113743E20	CAP, 0.1uF
C1123	2113740F39	CAP, 33pF
C1124	2113743E20	CAP, 0.1uF
C1125	2113743E11	CAP, .039uF
C1126	2113743E20	CAP, 0.1uF
C1127	2311049A57	CAP, 10uF
C1128	2113743E20	CAP, 0.1uF
C1129	2113740F35	CAP, 22pF
C1130	2113740F47	CAP, 68pF
C1133	2113743E20	CAP, 0.1uF
C1134	2113743E20	CAP, 0.1uF
C1135	2113743E20	CAP, 0.1uF
C1136	2113743E20	CAP, 0.1uF
C1137	2113740F53	CAP, 120pF
C1138	2113743E20	CAP, 0.1uF
C1139	2113741F49	CAP, .01uF
C1140	2113741F49	CAP, .01uF
C1141	2113743E20	CAP, 0.1uF
C1142	2113743E20	CAP, 0.1uF
C1143	2113743E20	CAP, 0.1uF
C1144	2113743E20	CAP, 0.1uF
C1145	2113741F41	CAP, 4700pF
C1146	2113740F49	CAP, 82pF
C1147	2113740F65	CAP, 390pF
C1148	2113743E20	CAP, 0.1uF
C1149	2113740F53	CAP, 120pF
C1150	2113740F54	CAP, 130pF
C1201	2113743E20	CAP, 0.1uF
C1202	2311049J11	CAP, 4.7uF
C1203	2113741F49	CAP, .01uF
C1204	2113740F59	CAP, 220pF
C1206	2113740L37	CAP, 62pF
C1207	2113740F07	CAP, 1.5pF
C1208	2113740A82	CAP, 1500pF
C1209	2311049A57	CAP, 10uF
C1210	2113743E20	CAP, 0.1uF
C1211	2113741F49	CAP, .01uF
C1212	2311049A07	CAP, 1uF
C1213	2113743A23	CAP, 0.22uF
C1214	2113743E10	CAP, .033uF
C1215	2113740C37	CAP, 6800pF
C1216	2311049J11	CAP, 4.7uF
C1217	2113741F49	CAP, .01uF
C1218	2113743E20	CAP, 0.1uF
C1219	2311049J11	CAP, 4.7uF
C1220	2311049J11	CAP, 4.7uF

Circuit Ref	Motorola Part No.	Description
C1222	2113740F37	CAP, 27pF
C1223	2113741F49	CAP, .01uF
C1224	2113740F51	CAP, 100pF
C1225	2113741F49	CAP, .01uF
C1227	2113741F49	CAP, .01uF
C1229	2113741F49	CAP, .01uF
C1230	2113741F49	CAP, .01uF
C1231	2113741F49	CAP, .01uF
C1250	2311049A09	CAP, 2.2uF
C1251	2113743E20	CAP, 0.1uF
C1252	2113743E05	CAP, .018uF
C1253	2311049J11	CAP, 4.7uF
C1254	2113741F49	CAP, .01uF
C1306	2113740L23	CAP, 16pF
C1307	2113740L34	CAP, 47pF
C1308	2113740F19	CAP, 4.7pF
C1311	2113741F49	CAP, .01uF
C1312	2113741F49	CAP, .01uF
C1313	2113741F49	CAP, .01uF
C1314	2113740L35	CAP, 51pF
C1315	2113740L35	CAP, 51pF
C1316	2113740F15	CAP, 3.3pF
C1317	2113743E20	CAP, 0.1uF
C1318	2113741F49	CAP, .01uF
C1319	2113741F49	CAP, .01uF
C1320	2113741F49	CAP, .01uF
C1321	2113740F17	CAP, 3.9pF
C1323	2113740L21	CAP, 13pF
C1325	2113741F49	CAP, .01uF
C1326	2113741F49	CAP, .01uF
C1333	2113740L36	CAP, 56pF
C1334	2113740L36	CAP, 56pF
C1335	2113740F19	CAP, 4.7pF
C1336-		
C1340	2113741F49	CAP, .01uF
C1341	2113740L36	CAP, 56pF
C1342	2113740L36	CAP, 56pF
C1343	2113740F15	CAP, 3.3pF
C1344	2113741F49	CAP, .01uF
C1345	2113743E20	CAP, 0.1uF
C1346	2113741F49	CAP, .01uF
C1347	2113741F49	CAP, .01uF
C1348	2113740F17	CAP, 3.9pF
C1349	2113743E20	CAP, 0.1uF
C1350	2113740F31	CAP, 15pF
C1351	2113741F49	CAP, .01uF
C1352	2113741F49	CAP, .01uF
C1401	2113741A45	CAP, .01uF
C1402	2113741A45	CAP, .01uF
C1404	2113741A45	CAP, .01uF
C1405	2113741A45	CAP, .01uF

Circuit Ref	Motorola Part No.	Description
C1407	2113741A45	CAP, .01uF
C1410	2113741M69	CAP, 0.1uF
C1413	2113741A45	CAP, .01uF
C1414	2113741A45	CAP, .01uF
C1415	2113741A45	CAP, .01uF
C1417	2113740A79	CAP, 1000pF
C1418	2113741A45	CAP, .01uF
C1419	2113741A45	CAP, .01uF
C1420	2113741A45	CAP, .01uF
C1423	2113741A45	CAP, .01uF
C1424	2113741A45	CAP, .01uF
C1425	2113741W01	CAP, 1uF
C1426	2113741W01	CAP, 1uF
C1427-		
C1430	2111078B59	CAP, 470pF
C1431	2113741A45	CAP, .01uF
C1432	2113741W01	CAP, 1uF
C1433	2113741W01	CAP, 1uF
C1434	2113741A45	CAP, .01uF
C1435	2113741W01	CAP, 1uF
C1436	2113741A45	CAP, .01uF
C1437-		
C1440	2111078B59	CAP, 470pF
C1441	2111078B50	CAP, 200pF
C1442	2111078B39	CAP, 75pF
C1443	2111078B59	CAP, 470pF
C1444	2111078B59	CAP, 470pF
C1445	2113741A45	CAP, .01uF
C1446	2180060M41	CAP, 82pF
C1447	2111078B59	CAP, 470pF
C1448	2111078B59	CAP, 470pF
C1449	2180060M46	CAP, 130pF
C1451	2180060M51	CAP, 220pF
C1452	2180060M37	CAP, 56pF
C1453	2180060M48	CAP, 160pF
C1454	2180060M37	CAP, 56pF
C1455	2180060M25	CAP, 18pF
C1456	2180060M43	CAP, 100pF
C1457	2113741A45	CAP, .01uF
C1458	2311049C01	CAP, 10uF
C1459	2311049C01	CAP, 10uF
C1460	2113743E20	CAP, 0.1uF
C1461	2113741A45	CAP, .01uF
C1462	2311049C01	CAP, 10uF
C1463	2113928E01	CAP, 1uF
C1464	2113741A45	CAP, .01uF
C1465	2113928E01	CAP, 1uF
C1466	2113741A45	CAP, .01uF
C1467	2113740A53	CAP, 82pF
C1468	2113741A45	CAP, .01uF
C1469	2113741W01	CAP, 1uF

Circuit Ref	Motorola Part No.	Description
C1470	2113741W01	CAP, 1uF
C1471	2113741A45	CAP, .01uF
C1472	2113741M69	CAP, 0.1uF
C1473	2113741M69	CAP, 0.1uF
C1474	2113741A45	CAP, .01uF
C1475	2113741W01	CAP, 1uF
C1476	2113741A45	CAP, .01uF
C1477	2111078B59	CAP, 470pF
C1478	2111078B59	CAP, 470pF
C1479	2111078B49	CAP, 180pF
C1481	2111078B58	CAP, 430pF
C1482	2113928E01	CAP, 1uF
C1484	2113741F33	CAP, 2200pF
C1485	2113741A45	CAP, .01uF
C1486	2180060M40	CAP, 75pF
C1501-		
C1504	2113741F33	CAP, 2200pF
C1505	2113741F25	CAP, 1000pF
C1506	2113741F25	CAP, 1000pF
C1507	2113741F33	CAP, 2200pF
C1508	2113741F33	CAP, 2200pF
C1509	2311049A07	CAP, 1uF
C1510-		
C1512	2113741F33	CAP, 2200pF
C1525	2113743E20	CAP, 0.1uF
C1526	2113740F51	CAP, 100pF
C1527	2113741A45	CAP, .01uF
C1528	2113741A45	CAP, .01uF
C1529	2113741M69	CAP, 0.1uF
C1530	2113741A45	CAP, .01uF
C1601	2113743E20	CAP, 0.1uF
C1602	2113740F59	CAP, 220pF
C1603	2113743A23	CAP, 0.22uF
C1604	2113743A23	CAP, 0.22uF
C1605	2311049A57	CAP, 10uF
C1606	2113740F59	CAP, 220pF
C1607	2113740F51	CAP, 100pF
C1608	2113743A23	CAP, 0.22uF
C1609	2113740F34	CAP, 20pF
C1610	2113741F41	CAP, 4700pF
C1611	2113743E20	CAP, 0.1uF
C1612	2113741F33	CAP, 2200pF
C1613	2113740F54	CAP, 130pF
C1614	2113741F24	CAP, 910pF
C1616	2113740F40	CAP, 36pF
C1618	2113743A23	CAP, 0.22uF
C1619	2311049A57	CAP, 10uF
C1620	2113741F25	CAP, 1000pF
C1622	2113743E20	CAP, 0.1uF
C1623	2113740F60	CAP, 240pF
C1624	2113741F37	CAP, 3300pF

Circuit Ref	Motorola Part No.	Description
C1625	2113740F29	CAP, 12pF
C1626	2113740F59	CAP, 220pF
C1627	2113743A23	CAP, 0.22uF
C1628	2113743E20	CAP, 0.1uF
C1629	2113740F39	CAP, 33pF
C1631	2311049A57	CAP, 10uF
C1632	2113743E20	CAP, 0.1uF
C1633	2113743A23	CAP, 0.22uF
C1634	2113741A45	CAP, .01uF
CR1201	4862824C03	1SV232
CR1202	4802233J09	IMN10
CR1302	4805649Q14	HN1V02H
CR1306	4880154K03	MMBD353
CR1310	4805649Q14	HN1V02H
CR1314	4880154K03	MMBD353
D1001	4880154K03	MMBD353
D1101	4880154K03	MMBD353
D1401	4808379X02	MA4P1450
D1402	4808379X02	MA4P1450
D1501	4813825A05	MMBD301
D1502	4813833C02	MMBD6100
D1503	4813833C02	MMBD6100
D1601	4880154K03	MMBD353
E1401	2408380X02	FERRITE BEAD
E1403	2408380X02	FERRITE BEAD
FL1101	9180656U03	CFEC10_7MG1
FL1102	9180022M09	XSTAL FILTER, 10.7 MHZ
FL1104	9180468V04	CFUCJ455F
FL1105	9180468V05	CFUCJ455E
FL1106	9180469V04	CFWC455F
FL1107	9180469V05	CFWC455E
J1401	0986166B02	MINI-U ANTENNA CONN
L1001-		
L1010	2408382A11	IDCTR, 130nH
L1011	2462587N68	IDCTR, 1uH
L1012	2462587N57	IDCTR, 220nH
L1013	2462587N59	IDCTR, 330nH
L1014	2462587N57	IDCTR, 220nH
L1101	2462587N33	IDCTR, 1.8uH
L1102	2408383X07	IDCTR, 3.3uH
L1103	2462587N33	IDCTR, 1.8uH
L1104	2480289M10	IDCTR, 6.8uH
L1105	2480289M10	IDCTR, 6.8uH
L1106	2462587N33	IDCTR, 1.8uH
L1107	2480289M09	IDCTR, 5.6uH
L1110	2480289M18	IDCTR, 33uH
L1111	2408383X07	IDCTR, 3.3uH
L1112	2483411T35	IDCTR, 6.8uH
L1201	2480289M17	IDCTR, 27uH
L1202	2462587Q20	IDCTR, 2.2uH
L1205	2462587N64	IDCTR, 680nH

Circuit Ref	Motorola Part No.	Description
L1206	2480289M17	IDCTR, 27uH
L1302	2408382D19	IDCTR, 491nH
L1303	2480289M17	IDCTR, 27uH
L1304	2462587N66	IDCTR, 820nH
L1305-		
L1307	2480289M17	IDCTR, 27uH
L1309	2480289M17	IDCTR, 27uH
L1310	2462587N60	IDCTR, 390nH
L1311	2480289M17	IDCTR, 27uH
L1313	2408382D19	IDCTR, 491nH
L1314	2480289M18	IDCTR, 33uH
L1315	2462587N69	IDCTR, 1.2uH
L1316-		
L1318	2480289M18	IDCTR, 33uH
L1321	2462587N58	IDCTR, 270nH
L1322	2480289M18	IDCTR, 33uH
L1324	2480289M18	IDCTR, 33uH
L1402	2462587U09	IDCTR, 4.7uH
L1403	2462587U09	IDCTR, 4.7uH
L1404	2462587N56	IDCTR, 180nH
L1406	2408381X36	IDCTR, 250.974nH
L1408	2408384A10	IDCTR, 120nH
L1413	2408381X17	IDCTR, 88.470nH
L1414	2408381X17	IDCTR, 88.470nH
L1415	2485873L04	IDCTR, 41nH
L1416	2485873L04	IDCTR, 41nH
L1417	2408381X14	IDCTR, 72.462nH
L1418	2408381X30	IDCTR, 184.518nH
L1419	2480289M17	IDCTR, 27uH
L1420	2408381X36	IDCTR, 250.974nH
L1421	2408381X33	IDCTR, 217.576nH
L1422	2408381X26	IDCTR, 139.750nH
L1423	2408381X23	IDCTR, 124.327nH
L1425	2485873L04	IDCTR, 41nH
L1426	2485873L04	IDCTR, 41nH
L1601	2483411T45	IDCTR, 47uH
L1602	2483411T45	IDCTR, 47uH
L1603	2483411T73	IDCTR, 1uH
L1604	2483411T45	IDCTR, 47uH
L1605	2483411T41	IDCTR, 22uH
L1606	2462587T30	IDCTR, 1uH
L1607	2462587T30	IDCTR, 1uH
M1401	2686201B01	HEATSINK
Q1001	4880182D44	MMBR951
Q1002	4813824A17	MMBT3906
Q1003	4813824A17	MMBT3906
Q1101	4813827A07	MMBR941
Q1102	4813823A05	MMBFU310L
Q1103	4813823A05	MMBFU310L
Q1104	4813823A05	MMBFU310L
Q1105	4880048M01	DTC144EKA

Circuit Ref	Motorola Part No.	Description
Q1106	4813827A07	MMBR941
Q1107	4880214G02	MMBT3904
Q1201	4813824A17	MMBT3906
Q1202	4880182D44	MMBR951
Q1303	4884235R02	MMBFU310
Q1304	4880182D44	MMBR951
Q1305	4880182D44	MMBR951
Q1306	4884235R02	MMBFU310
Q1307	4880182D44	MMBR951
Q1308	4880182D44	MMBR951
Q1401	4886212B01	MRF1518
Q1402	4886136B01	MRF1550
Q1403	4886136B01	MRF1550
Q1501	4880141L03	BCW68G
Q1502-		
Q1504	4880214G02	MMBT3904
Q1505	4813824A17	MMBT3906
Q1506	4880214G02	MMBT3904
Q1601	4813824A17	MMBT3906
Q1602	4880048M01	DTC144EKA
Q1603-		
Q1605	4880214G02	MMBT3904
Q1606	4813824A17	MMBT3906
Q1607	4880214G02	MMBT3904
Q1609	4813824A17	MMBT3906
Q1610	4805585Q17	NE25139
R1001	0662057A05	RES, 15
R1002	0662057A05	RES, 15
R1003	0662057A41	RES, 470
R1004	0662057A59	RES, 2.7K
R1005	0662057A31	RES, 180
R1006	0662057A73	RES, 10K
R1007	0662057A71	RES, 8.2K
R1008	0662057A65	RES, 4.7K
R1101	0662057A18	RES, 51
R1102	0662057A78	RES, 16K
R1103	0662057A39	RES, 390
R1104	0662057A71	RES, 8.2K
R1106	0662057A25	RES, 100
R1107	0662057A68	RES, 6.2K
R1108	0662057A61	RES, 3.3K
R1109	0662057A37	RES, 330
R1110	0662057A25	RES, 100
R1111	0662057A17	RES, 47
R1113	0662057A64	RES, 4.3K
R1114	0662057A64	RES, 4.3K
R1115	0662057A75	RES, 12K
R1117	0662057A37	RES, 330
R1118	0662057A56	RES, 2K
R1119	0662057A83	RES, 27K
R1120	0662057A18	RES, 51



Circuit Ref	Motorola Part No.	Description
R1121	0662057A71	RES, 8.2K
R1122	0662057A73	RES, 10K
R1123	0662057A51	RES, 1.2K
R1128-		
R1130	0662057A73	RES, 10K
R1131	0662057A77	RES, 15K
R1132	0662057A58	RES, 2.4K
R1133	0662057A61	RES, 3.3K
R1134	0662057A05	RES, 15
R1135	0662057A20	RES, 62
R1136	0662057A45	RES, 680
R1137	0662057A75	RES, 12K
R1138	0662057A01	RES, 10
R1139	0611077A12	RES, 2.7
R1140	0662057A39	RES, 390
R1141	0662057A55	RES, 1.8K
R1201	0662057B47	RES, 0
R1203	0662057B02	RES, 150K
R1204	0662057B47	RES, 0
R1205	0662057A45	RES, 680
R1206	0662057A41	RES, 470
R1208	0662057A18	RES, 51
R1209	0662057A61	RES, 3.3K
R1210	0662057A33	RES, 220
R1211	0662057B14	RES, 470K
R1212	0662057A25	RES, 100
R1213	0662057A45	RES, 680
R1214	0662057A54	RES, 1.6K
R1215	0662057A21	RES, 68
R1216	0662057A18	RES, 51
R1217	0662057A25	RES, 100
R1218	0662057A17	RES, 47
R1219	0662057A17	RES, 47
R1220	0662057A17	RES, 47
R1221	0662057B47	RES, 0
R1306	0662057B47	RES, 0
R1307	0662057A19	RES, 56
R1308	0662057A19	RES, 56
R1309	0662057A41	RES, 470
R1311	0662057A73	RES, 10K
R1312	0662057A51	RES, 1.2K
R1313	0662057A51	RES, 1.2K
R1314	0662057A37	RES, 330
R1315	0662057A61	RES, 3.3K
R1316	0662057A45	RES, 680
R1317	0662057A09	RES, 22
R1318	0662057A41	RES, 470
R1319	0662057A01	RES, 10
R1320	0662057A41	RES, 470
R1326	0662057A19	RES, 56
R1327	0662057A19	RES, 56

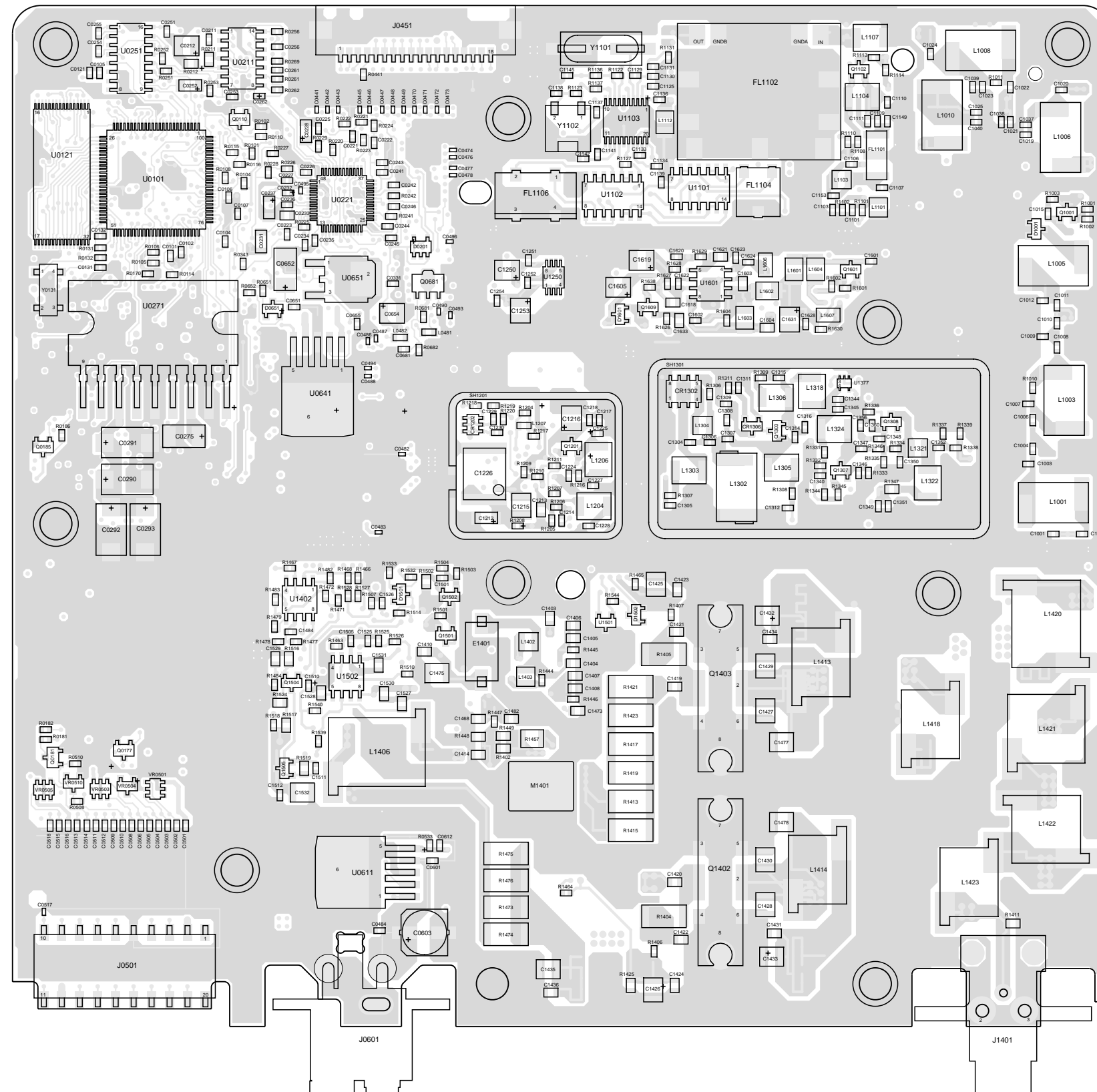
Circuit Ref	Motorola Part No.	Description
R1328	0662057A41	RES, 470
R1330	0662057A73	RES, 10K
R1331	0662057A51	RES, 1.2K
R1332	0662057A51	RES, 1.2K
R1333	0662057A37	RES, 330
R1334	0662057A61	RES, 3.3K
R1335	0662057A47	RES, 820
R1336	0662057A09	RES, 22
R1337	0662057A22	RES, 75
R1338	0662057A27	RES, 120
R1339	0662057A22	RES, 75
R1340	0662057A49	RES, 1K
R1341	0662057A25	RES, 100
R1342	0662057A25	RES, 100
R1343	0662057C55	RES, 150
R1344	0662057A49	RES, 1K
R1345	0662057A25	RES, 100
R1346	0662057A25	RES, 100
R1347	0662057C55	RES, 150
R1376	0662057A65	RES, 4.7K
R1402	0611079A64	RES, 390
R1404	0680194M18	RES, 51
R1405	0680194M18	RES, 51
R1406	0662057A73	RES, 10K
R1407	0662057A73	RES, 10K
R1409	0682089V01	RES, .01
R1410	0683962T52	RES, 130
R1411	0662057C99	RES, 10K
R1413	0680194M01	RES, 10
R1414	0680194M01	RES, 10
R1416-		
R1423	0680194M01	RES, 10
R1424	0662057D10	RES, 27K
R1425	0662057D10	RES, 27K
R1440	0662057A25	RES, 100
R1442	0662057A25	RES, 100
R1443	0662057A49	RES, 1K
R1444	0662057A33	RES, 220
R1445	0662057A68	RES, 6.2K
R1447	0662057B47	RES, 0
R1449	0611079A64	RES, 390
R1450	0683962T71	RES, 820
R1451	0662057K31	RES, 180
R1453	0662057K31	RES, 180
R1454	0662057K31	RES, 180
R1457	0662057K01	RES, 10
R1458	0611079A64	RES, 390
R1459	0611079A64	RES, 390
R1460	0680106R01	RES, 0.1
R1463	0662057A75	RES, 12K
R1464	0662057A61	RES, 3.3K

Circuit Ref	Motorola Part No.	Description
R1465	0662057A61	RES, 3.3K
R1469	0662057C01	RES, 0
R1472	0662057A73	RES, 10K
R1473-		
R1476	0680194M01	RES, 10
R1477	0662057A61	RES, 3.3K
R1478	0662057A73	RES, 10K
R1479	0662057A61	RES, 3.3K
R1480	0662057D10	RES, 27K
R1481	0662057A90	RES, 51K
R1482	0662057B47	RES, 0
R1483	0662057A34	RES, 240
R1484	0662057A49	RES, 1K
R1501	0662057A45	RES, 680
R1502	0662057C67	RES, 470
R1503	0662057A61	RES, 3.3K
R1504	0662057A73	RES, 10K
R1505	0662057A69	RES, 6.8K
R1506	0662057A87	RES, 39K
R1507	0662057A49	RES, 1K
R1508	0662057R17	RES, 43.2
R1509	0662057P95	RES, 100K
R1511	0662057P95	RES, 100K
R1513	0662057C76	RES, 1.1K
R1514	0662057A97	RES, 100K
R1515	0662057A49	RES, 1K
R1516	0662057C71	RES, 680
R1517	0662057C71	RES, 680
R1518	0662057A61	RES, 3.3K
R1519	0662057C71	RES, 680
R1522	0662057A73	RES, 10K
R1524	0662057C71	RES, 680
R1526	0662057A97	RES, 100K
R1527	0662057A97	RES, 100K
R1528	0662057A80	RES, 20K
R1532	0662057A95	RES, 82K
R1533	0662057A73	RES, 10K
R1535	0662057R16	RES, 39.2
R1537	0662057A53	RES, 1.5K
R1541	0662057A53	RES, 1.5K
R1542	0662057A49	RES, 1K
R1543	0662057A49	RES, 1K
R1544	0662057A90	RES, 51K
R1545	0662057A65	RES, 4.7K
R1601	0662057A73	RES, 10K
R1602	0662057A65	RES, 4.7K
R1604	0662057A49	RES, 1K
R1605	0662057B10	RES, 330K
R1606	0662057B02	RES, 150K
R1607	0662057B19	RES, 750K
R1608	0662057A57	RES, 2.2K

Circuit Ref	Motorola Part No.	Description
R1609	0662057A73	RES, 10K
R1610	0662057A82	RES, 24K
R1611	0662057A49	RES, 1K
R1612	0662057A25	RES, 100
R1613	0662057A59	RES, 2.7K
R1614	0662057A49	RES, 1K
R1615	0662057A49	RES, 1K
R1616	0662057A33	RES, 220
R1617	0662057A57	RES, 2.2K
R1620	0662057A51	RES, 1.2K
R1621	0662057A68	RES, 6.2K
R1622	0662057A49	RES, 1K
R1626	0662057A18	RES, 51
R1627	0662057A73	RES, 10K
R1628	0662057A55	RES, 1.8K
R1629	0662057A67	RES, 5.6K
R1630	0662057A53	RES, 1.5K
R1631	0662057A18	RES, 51
R1632	0662057A82	RES, 24K
R1635	0662057B47	RES, 0
R1636	0662057A42	RES, 510
R1637	0662057A59	RES, 2.7K
R1638	0662057A55	RES, 1.8K
SH1302	2680473U01	VCO SHIELD
U1001	4809939C05	UMC5N
U1051	5108278X01	MIXER
U1101	5102463J52	MC74HC4066
U1102	5102463J52	MC74HC4066
U1103	5186144B01	SA616
U1201	5185963A27	FRACN SYNTHESIZER IC
U1250	5185963A33	LP2951
U1377	4809939C05	UMC5N
U1378	4809939C05	UMC5N
U1401	5185130C65	LD MOS PREDRIVER IC
U1402	5113818A03	MC33072
U1501	5185963A15	LM50
U1502	5109731C21	LM6142BIM
U1503	5185765B26	POWER CONTROL IC
U1601	5180929W01	MC1350
Y1101	4880908W08	CRYSTAL, 10.245 MHZ
Y1102	9186145B02	DISCRIMINATOR, 455KHZ
Y1201	4880114R04	CRYSTAL, 16.8 MHZ

\* Motorola Depot Servicing only  
Reference designators with an asterisk indicate components which are not fieldreplaceable because they need to be calibrated with specialized factory equipment after installation. Radios in which these parts have been replaced in the field will be off frequency at temperature extremes.

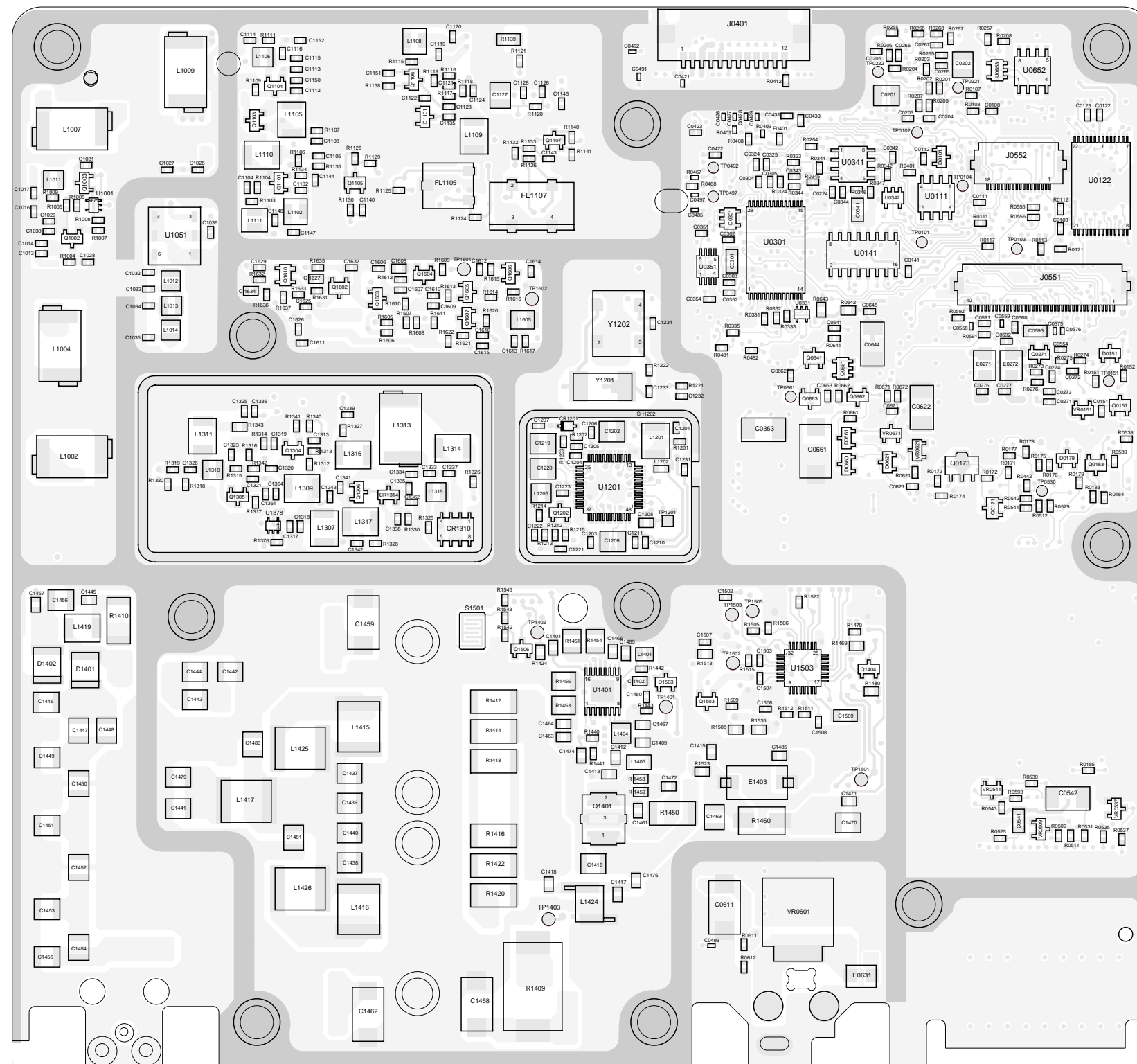
### 6.0 LB Range2, 25-60W PCB 8486207B07 / Schematics



ZWG0131045-O

**LB2 (36.0-42.0 MHz)  
8486207B07 Top Side**

6.1 LB3 PCB 8485908z03 Parts List





**6.2 LB2 PCB 8486207B07 Parts List**

Circuit Ref	Motorola Part No.	Description
C1001	2113740F56	CAP, 160pF
C1002	2113741F49	CAP, .01uF
C1003	2113740F62	CAP, 300pF
C1004	2113740F53	CAP, 120pF
C1006	2113740F46	CAP, 62pF
C1007	2113740F60	CAP, 240pF
C1008	2113741F25	CAP, 1000pF
C1009	2113740F60	CAP, 240pF
C1010	2113740F46	CAP, 62pF
C1011	2113740F53	CAP, 120pF
C1012	2113740F62	CAP, 300pF
C1013	2113741F49	CAP, .01uF
C1014	2113740F56	CAP, 160pF
C1015	2113741F49	CAP, .01uF
C1016	2113740F55	CAP, 150pF
C1017	2113741F27	CAP, 1200pF
C1019	2113740F60	CAP, 240pF
C1020	2113740F59	CAP, 220pF
C1021	2113740F62	CAP, 300pF
C1022	2113740F59	CAP, 220pF
C1023	2113740F62	CAP, 300pF
C1024	2113740F59	CAP, 220pF
C1025	2113740F60	CAP, 240pF
C1026	2113741F27	CAP, 1200pF
C1027	2113740F55	CAP, 150pF
C1028	2113741F49	CAP, .01uF
C1029	2113741F49	CAP, .01uF
C1030	2113743E20	CAP, 0.1uF
C1031	2113743E20	CAP, 0.1uF
C1032	2113740F48	CAP, 75pF
C1033	2113740F50	CAP, 91pF
C1034	2113740F51	CAP, 100pF
C1035	2113740F46	CAP, 62pF
C1036	2113743E20	CAP, 0.1uF
C1037	2113740F59	CAP, 220pF
C1038	2113740F62	CAP, 300pF
C1039	2113740F62	CAP, 300pF
C1040	2113740F59	CAP, 220pF
C1101	2113740F53	CAP, 120pF
C1102	2113740F50	CAP, 91pF
C1103	2113740F58	CAP, 200pF
C1104	2113743E20	CAP, 0.1uF
C1105	2113743E20	CAP, 0.1uF
C1106	2113743E20	CAP, 0.1uF
C1107	2113740F49	CAP, 82pF
C1108	2113743E20	CAP, 0.1uF
C1109	2113740F40	CAP, 36pF
C1111	2113740L03	CAP, 2.4pF
C1112	2113740F40	CAP, 36pF
C1113	2113743E20	CAP, 0.1uF

Circuit Ref	Motorola Part No.	Description
C1114	2113743E20	CAP, 0.1uF
C1115	2113740F53	CAP, 120pF
C1116	2113740F41	CAP, 39pF
C1119	2113743E20	CAP, 0.1uF
C1123	2113740F39	CAP, 33pF
C1124	2113743E20	CAP, 0.1uF
C1125	2113743E11	CAP, .039uF
C1126	2113743E20	CAP, 0.1uF
C1127	2311049A57	CAP, 10uF
C1128	2113743E20	CAP, 0.1uF
C1129	2113740F35	CAP, 22pF
C1130	2113740F47	CAP, 68pF
C1133-		
C1136	2113743E20	CAP, 0.1uF
C1137	2113740F53	CAP, 120pF
C1138	2113743E20	CAP, 0.1uF
C1139	2113741F49	CAP, .01uF
C1140	2113741F49	CAP, .01uF
C1141-		
C1144	2113743E20	CAP, 0.1uF
C1145	2113741F41	CAP, 4700pF
C1146	2113740F49	CAP, 82pF
C1147	2113740F65	CAP, 390pF
C1148	2113743E20	CAP, 0.1uF
C1149	2113740F53	CAP, 120pF
C1150	2113740F54	CAP, 130pF
C1201	2113743E20	CAP, 0.1uF
C1202	2311049J11	CAP, 4.7uF
C1203	2113741F49	CAP, .01uF
C1204	2113740F59	CAP, 220pF
C1206	2113740L37	CAP, 62pF
C1207	2113740F07	CAP, 1.5pF
C1208	2113740A82	CAP, 1500pF
C1209	2311049A57	CAP, 10uF
C1210	2113743E20	CAP, 0.1uF
C1211	2113741F49	CAP, .01uF
C1212	2311049A07	CAP, 1uF
C1213	2113743A23	CAP, 0.22uF
C1214	2113743E10	CAP, .033uF
C1215	2113740C37	CAP, 6800pF
C1216	2311049J11	CAP, 4.7uF
C1217	2113741F49	CAP, .01uF
C1218	2113743E20	CAP, 0.1uF
C1219	2311049J11	CAP, 4.7uF
C1220	2311049J11	CAP, 4.7uF
C1222	2113740F36	CAP, 24pF
C1223	2113741F49	CAP, .01uF
C1224	2113740F49	CAP, 82pF
C1225	2113741F49	CAP, .01uF
C1227	2113741F49	CAP, .01uF
C1229	2113741F49	CAP, .01uF

Circuit Ref	Motorola Part No.	Description
C1230	2113741F49	CAP, .01uF
C1231	2113741F49	CAP, .01uF
C1250	2311049A09	CAP, 2.2uF
C1251	2113743E20	CAP, 0.1uF
C1252	2113743E05	CAP, .018uF
C1253	2311049J11	CAP, 4.7uF
C1254	2113741F49	CAP, .01uF
C1306	2113740L23	CAP, 16pF
C1307	2113740L27	CAP, 24pF
C1308	2113740F19	CAP, 4.7pF
C1311	2113741F49	CAP, .01uF
C1312	2113741F49	CAP, .01uF
C1313	2113741F49	CAP, .01uF
C1314	2113740L27	CAP, 24pF
C1315	2113740L27	CAP, 24pF
C1316	2113740F15	CAP, 3.3pF
C1317	2113743E20	CAP, 0.1uF
C1318	2113741F49	CAP, .01uF
C1319	2113741F49	CAP, .01uF
C1320	2113741F49	CAP, .01uF
C1321	2113740F17	CAP, 3.9pF
C1323	2113740L21	CAP, 13pF
C1325	2113741F49	CAP, .01uF
C1326	2113741F49	CAP, .01uF
C1333	2113740L28	CAP, 27pF
C1334	2113740L36	CAP, 56pF
C1335	2113740F19	CAP, 4.7pF
C1336	2113743E20	CAP, 0.1uF
C1338	2113741F49	CAP, .01uF
C1339	2113741F49	CAP, .01uF
C1340	2113741F49	CAP, .01uF
C1341	2113740L36	CAP, 56pF
C1342	2113740L36	CAP, 56pF
C1343	2113740F15	CAP, 3.3pF
C1344	2113741F49	CAP, .01uF
C1345	2113743E20	CAP, 0.1uF
C1346	2113741F49	CAP, .01uF
C1347	2113741F49	CAP, .01uF
C1348	2113740F17	CAP, 3.9pF
C1349	2113743E20	CAP, 0.1uF
C1350	2113740F31	CAP, 15pF
C1351	2113741F49	CAP, .01uF
C1352	2113741F49	CAP, .01uF
C1401	2113741A45	CAP, .01uF
C1402	2113741A45	CAP, .01uF
C1404	2113741A45	CAP, .01uF
C1405	2113741A45	CAP, .01uF
C1407	2113741A45	CAP, .01uF
C1410	2113741M69	CAP, 0.1uF
C1412	2113741A45	CAP, .01uF
C1413	2113741A45	CAP, .01uF

Circuit Ref	Motorola Part No.	Description
C1414	2113741A45	CAP, .01uF
C1415	2113741M69	CAP, 0.1uF
C1418	2113740A73	CAP, 560pF
C1419	2113741A45	CAP, .01uF
C1420	2113741A45	CAP, .01uF
C1423	2113741A45	CAP, .01uF
C1424	2113741A45	CAP, .01uF
C1425	2113741W01	CAP, 1uF
C1426	2113741W01	CAP, 1uF
C1427	2111078B59	CAP, 470pF
C1428	2111078B59	CAP, 470pF
C1429	2111078B58	CAP, 430pF
C1430	2111078B58	CAP, 430pF
C1431	2113741A45	CAP, .01uF
C1432	2113741W01	CAP, 1uF
C1433	2113741W01	CAP, 1uF
C1434	2113741A45	CAP, .01uF
C1435	2113741W01	CAP, 1uF
C1436	2113741A45	CAP, .01uF
C1437	2111078B58	CAP, 430pF
C1438	2111078B58	CAP, 430pF
C1439	2111078B59	CAP, 470pF
C1440	2111078B59	CAP, 470pF
C1441	2111078B52	CAP, 240pF
C1442	2111078B45	CAP, 130pF
C1443	2111078B59	CAP, 470pF
C1444	2111078B59	CAP, 470pF
C1445	2113741A45	CAP, .01uF
C1447	2111078B52	CAP, 240pF
C1448	2111078B52	CAP, 240pF
C1449	2180060M49	CAP, 180pF
C1451	2180060M49	CAP, 180pF
C1452	2180060M29	CAP, 27pF
C1453	2180060M42	CAP, 91pF
C1454	2180060M38	CAP, 62pF
C1455	2180060M30	CAP, 30pF
C1456	2180060M40	CAP, 75pF
C1457	2113741A45	CAP, .01uF
C1458	2311049C01	CAP, 10uF
C1459	2311049C01	CAP, 10uF
C1460	2113743E20	CAP, 0.1uF
C1461	2113741A45	CAP, .01uF
C1462	2311049C01	CAP, 10uF
C1463	2113928E01	CAP, 1uF
C1464	2113741A45	CAP, .01uF
C1465	2113928E01	CAP, 1uF
C1466	2113741A45	CAP, .01uF
C1467	2113740A46	CAP, 47pF
C1468	2113741A45	CAP, .01uF
C1469	2113741W01	CAP, 1uF
C1470	2113741W01	CAP, 1uF

Circuit Ref	Motorola Part No.	Description
C1471	2113741A45	CAP, .01uF
C1472	2113741M69	CAP, 0.1uF
C1473	2113741M69	CAP, 0.1uF
C1474	2113741A45	CAP, .01uF
C1475	2113741W01	CAP, 1uF
C1476	2113741A45	CAP, .01uF
C1477	2111078B42	CAP, 100pF
C1478	2111078B42	CAP, 100pF
C1479	2111078B52	CAP, 240pF
C1480	2111078B54	CAP, 300pF
C1481	2111078B54	CAP, 300pF
C1482	2113928E01	CAP, 1uF
C1484	2113741F33	CAP, 2200pF
C1485	2113741A45	CAP, .01uF
C1501-		
C1504	2113741F33	CAP, 2200pF
C1505	2113741F25	CAP, 1000pF
C1506	2113741F25	CAP, 1000pF
C1507	2113741F33	CAP, 2200pF
C1508	2113741F33	CAP, 2200pF
C1509	2311049A07	CAP, 1uF
C1510-		
C1512	2113741F33	CAP, 2200pF
C1525	2113743E20	CAP, 0.1uF
C1526	2113740F51	CAP, 100pF
C1527	2113741A45	CAP, .01uF
C1528	2113741A45	CAP, .01uF
C1529	2113741M69	CAP, 0.1uF
C1530	2113741A45	CAP, .01uF
C1601	2113743E20	CAP, 0.1uF
C1602	2113740F59	CAP, 220pF
C1603	2113743A23	CAP, 0.22uF
C1604	2113743A23	CAP, 0.22uF
C1605	2311049A57	CAP, 10uF
C1606	2113740F59	CAP, 220pF
C1607	2113740F51	CAP, 100pF
C1608	2113743A23	CAP, 0.22uF
C1609	2113740F34	CAP, 20pF
C1610	2113741F41	CAP, 4700pF
C1611	2113743E20	CAP, 0.1uF
C1612	2113741F33	CAP, 2200pF
C1613	2113740F54	CAP, 130pF
C1614	2113741F24	CAP, 910pF
C1616	2113740F40	CAP, 36pF
C1618	2113743A23	CAP, 0.22uF
C1619	2311049A57	CAP, 10uF
C1620	2113741F25	CAP, 1000pF
C1622	2113743E20	CAP, 0.1uF
C1623	2113740F60	CAP, 240pF
C1624	2113741F37	CAP, 3300pF
C1625	2113740F29	CAP, 12pF

Circuit Ref	Motorola Part No.	Description
C1626	2113740F59	CAP, 220pF
C1627	2113743A23	CAP, 0.22uF
C1628	2113743E20	CAP, 0.1uF
C1629	2113740F39	CAP, 33pF
C1631	2311049A57	CAP, 10uF
C1632	2113743E20	CAP, 0.1uF
C1633	2113743A23	CAP, 0.22uF
C1634	2113741A45	CAP, .01uF
CR1201	4862824C03	1SV232
CR1202	4802233J09	IMN10
CR1302	4805649Q14	HN1V02H
CR1306	4880154K03	MMBD353
CR1310	4805649Q14	HN1V02H
CR1314	4880154K03	MMBD353
D1001	4880154K03	MMBD353
D1101	4880154K03	MMBD353
D1401	4808379X02	MA4P1450
D1402	4808379X02	MA4P1450
D1501	4813825A05	MMBD301
D1502	4813833C02	MMBD6100
D1503	4813833C02	MMBD6100
D1601	4880154K03	MMBD353
E1401	2408380X02	FERRITE BEAD
E1403	2408380X02	FERRITE BEAD
FL1101	9180656U03	CFEC10_7MG1
FL1102	9180022M09	CRYSTAL FILTER, 10.7 MHZ
FL1104	9180468V04	CFUCJ455F
FL1105	9180468V05	CFUCJ455E
FL1106	9180469V04	CFWC455F
FL1107	9180469V05	CFWC455E
J1401	0986166B02	MINI-U ANTENNA CONN
L1001-		
L1010	2408382A11	IDCTR, 130nH
L1011	2462587N68	IDCTR, 1uH
L1012	2462587N57	IDCTR, 220nH
L1013	2462587N59	IDCTR, 330nH
L1014	2462587N57	IDCTR, 220nH
L1101	2462587N33	IDCTR, 1.8uH
L1102	2408383X07	IDCTR, 3.3uH
L1103	2462587N33	IDCTR, 1.8uH
L1104	2480289M10	IDCTR, 6.8uH
L1105	2480289M10	IDCTR, 6.8uH
L1106	2462587N33	IDCTR, 1.8uH
L1107	2480289M09	IDCTR, 5.6uH
L1110	2480289M18	IDCTR, 33uH
L1111	2408383X07	IDCTR, 3.3uH
L1112	2483411T35	IDCTR, 6.8uH
L1201	2480289M17	IDCTR, 27uH
L1202	2462587Q20	IDCTR, 2.2uH
L1205	2462587N62	IDCTR, 560nH

Circuit Ref	Motorola Part No.	Description
L1206	2480289M17	IDCTR, 27uH
L1302	2408382D19	IDCTR, 491nH
L1303	2480289M17	IDCTR, 27uH
L1304	2462587N66	IDCTR, 820nH
L1305	2480289M17	IDCTR, 27uH
L1306	2480289M17	IDCTR, 27uH
L1307	2480289M17	IDCTR, 27uH
L1309	2480289M17	IDCTR, 27uH
L1310	2462587N60	IDCTR, 390nH
L1311	2480289M17	IDCTR, 27uH
L1313	2408382D19	IDCTR, 491nH
L1314	2480289M18	IDCTR, 33uH
L1315	2462587N69	IDCTR, 1.2uH
L1316-		
L1318	2480289M18	IDCTR, 33uH
L1321	2462587N58	IDCTR, 270nH
L1322	2480289M18	IDCTR, 33uH
L1324	2480289M18	IDCTR, 33uH
L1402	2462587U09	IDCTR, 4.7uH
L1403	2462587U09	IDCTR, 4.7uH
L1404	2462587N56	IDCTR, 180nH
L1406	2408381X36	IDCTR, 250.974nH
L1413	2408381X17	IDCTR, 88.470nH
L1414	2408381X17	IDCTR, 88.470nH
L1415	2485873L02	IDCTR, 25nH
L1416	2485873L02	IDCTR, 25nH
L1417	2485873L02	IDCTR, 25nH
L1418	2408381X17	IDCTR, 88.470nH
L1419	2480289M17	IDCTR, 27uH
L1420	2408381X31	IDCTR, 196.876nH
L1421	2408381X27	IDCTR, 150.499nH
L1422	2408381X24	IDCTR, 133.304nH
L1423	2408381X15	IDCTR, 78.727nH
L1424	2408384A08	IDCTR, 82nH
L1425	2485873L02	IDCTR, 25nH
L1426	2485873L02	IDCTR, 25nH
L1601	2483411T45	IDCTR, 47uH
L1602	2483411T45	IDCTR, 47uH
L1603	2483411T73	IDCTR, 1uH
L1604	2483411T45	IDCTR, 47uH
L1605	2483411T41	IDCTR, 22uH
L1606	2462587T30	IDCTR, 1uH
L1607	2462587T30	IDCTR, 1uH
M1401	2686201B01	HEATSINK
Q1001	4880182D44	MMBR951
Q1002	4813824A17	MMBT3906
Q1003	4813824A17	MMBT3906
Q1101	4813827A07	MMBR941
Q1102-		
Q1104	4813823A05	MMBFU310L
Q1105	4880048M01	DTC144EKA

Circuit Ref	Motorola Part No.	Description
Q1106	4813827A07	MMBR941
Q1107	4880214G02	MMBT3904
Q1201	4813824A17	MMBT3906
Q1202	4880182D44	MMBR951
Q1303	4884235R02	MMBFU310
Q1304	4880182D44	MMBR951
Q1305	4880182D44	MMBR951
Q1306	4884235R02	MMBFU310
Q1307	4880182D44	MMBR951
Q1308	4880182D44	MMBR951
Q1401	4886212B01	MRF1518
Q1402	4886136B01	MRF1550
Q1403	4886136B01	MRF1550
Q1501	4880141L03	BCW68G
Q1502-		
Q1504	4880214G02	MMBT3904
Q1505	4813824A17	MMBT3906
Q1506	4880214G02	MMBT3904
Q1601	4813824A17	MMBT3906
Q1602	4880048M01	DTC144EKA
Q1603-		
Q1605	4880214G02	MMBT3904
Q1606	4813824A17	MMBT3906
Q1607	4880214G02	MMBT3904
Q1609	4813824A17	MMBT3906
Q1610	4805585Q17	NE25139
R1001	0662057A01	RES, 10
R1002	0662057A05	RES, 15
R1003	0662057A41	RES, 470
R1004	0662057A59	RES, 2.7K
R1005	0662057A31	RES, 180
R1006	0662057A73	RES, 10K
R1007	0662057A71	RES, 8.2K
R1008	0662057A65	RES, 4.7K
R1101	0662057A18	RES, 51
R1102	0662057A78	RES, 16K
R1103	0662057A39	RES, 390
R1104	0662057A71	RES, 8.2K
R1106	0662057A25	RES, 100
R1107	0662057A68	RES, 6.2K
R1108	0662057A61	RES, 3.3K
R1109	0662057A37	RES, 330
R1110	0662057A25	RES, 100
R1111	0662057A17	RES, 47
R1113	0662057A64	RES, 4.3K
R1114	0662057A64	RES, 4.3K
R1115	0662057A75	RES, 12K
R1117	0662057A37	RES, 330
R1118	0662057A56	RES, 2K
R1119	0662057A83	RES, 27K
R1120	0662057A18	RES, 51



Circuit Ref	Motorola Part No.	Description
R1121	0662057A71	RES, 8.2K
R1122	0662057A73	RES, 10K
R1123	0662057A51	RES, 1.2K
R1128	0662057A73	RES, 10K
R1129	0662057A73	RES, 10K
R1130	0662057A73	RES, 10K
R1131	0662057A77	RES, 15K
R1132	0662057A58	RES, 2.4K
R1133	0662057A61	RES, 3.3K
R1134	0662057A05	RES, 15
R1135	0662057A20	RES, 62
R1136	0662057A45	RES, 680
R1137	0662057A75	RES, 12K
R1138	0662057A01	RES, 10
R1139	0611077A12	RES, 2.7
R1140	0662057A39	RES, 390
R1141	0662057A55	RES, 1.8K
R1201	0662057B47	RES, 0
R1203	0662057B02	RES, 150K
R1204	0662057B47	RES, 0
R1205	0662057A45	RES, 680
R1206	0662057A41	RES, 470
R1208	0662057A18	RES, 51
R1209	0662057A61	RES, 3.3K
R1210	0662057A33	RES, 220
R1211	0662057B14	RES, 470K
R1212	0662057A25	RES, 100
R1213	0662057A45	RES, 680
R1214	0662057A54	RES, 1.6K
R1215	0662057A21	RES, 68
R1216	0662057A18	RES, 51
R1217	0662057A25	RES, 100
R1218	0662057A17	RES, 47
R1219	0662057A17	RES, 47
R1220	0662057A17	RES, 47
R1221	0662057B47	RES, 0
R1306	0662057B47	RES, 0
R1307	0662057A19	RES, 56
R1308	0662057A19	RES, 56
R1309	0662057A41	RES, 470
R1311	0662057A73	RES, 10K
R1312	0662057A51	RES, 1.2K
R1313	0662057A51	RES, 1.2K
R1314	0662057A37	RES, 330
R1315	0662057A61	RES, 3.3K
R1316	0662057A45	RES, 680
R1317	0662057A09	RES, 22
R1318	0662057A41	RES, 470
R1319	0662057A01	RES, 10
R1320	0662057A41	RES, 470
R1325	0662057B47	RES, 0

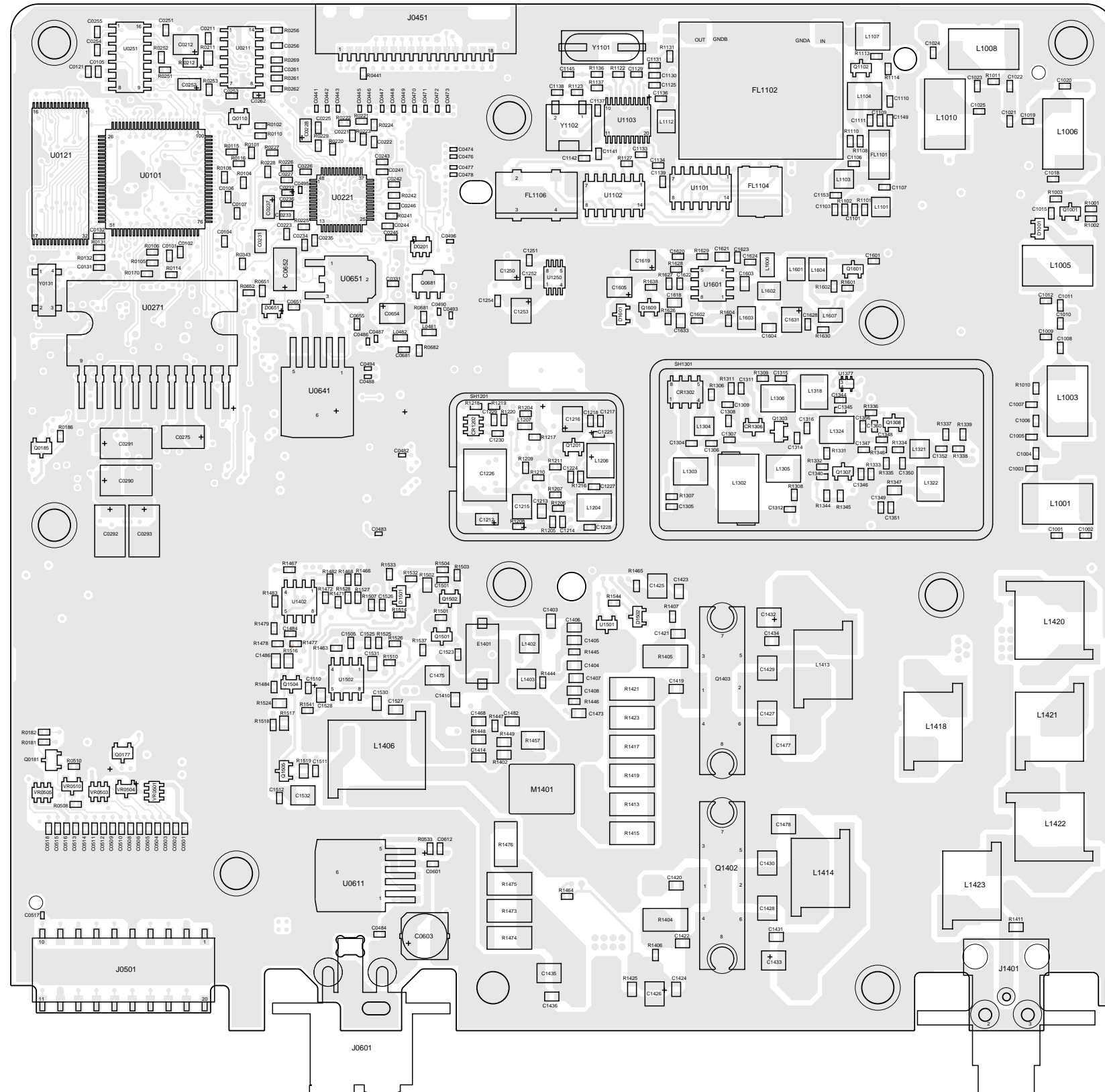
Circuit Ref	Motorola Part No.	Description
R1326	0662057A19	RES, 56
R1327	0662057A19	RES, 56
R1328	0662057A41	RES, 470
R1330	0662057A73	RES, 10K
R1331	0662057A51	RES, 1.2K
R1332	0662057A51	RES, 1.2K
R1333	0662057A37	RES, 330
R1334	0662057A61	RES, 3.3K
R1335	0662057A47	RES, 820
R1336	0662057A09	RES, 22
R1337	0662057A22	RES, 75
R1338	0662057A27	RES, 120
R1339	0662057A22	RES, 75
R1340	0662057A49	RES, 1K
R1341	0662057A25	RES, 100
R1342	0662057A25	RES, 100
R1343	0662057C55	RES, 150
R1344	0662057A49	RES, 1K
R1345	0662057A25	RES, 100
R1346	0662057A25	RES, 100
R1347	0662057C55	RES, 150
R1376	0662057A65	RES, 4.7K
R1402	0611079A64	RES, 390
R1404	0680194M18	RES, 51
R1405	0680194M18	RES, 51
R1406	0662057A73	RES, 10K
R1407	0662057A73	RES, 10K
R1409	0682089V01	RES, .01
R1410	0683962T52	RES, 130
R1411	0662057C99	RES, 10K
R1413	0680194M01	RES, 10
R1414	0680194M01	RES, 10
R1416-		
R1423	0680194M01	RES, 10
R1424	0662057D10	RES, 27K
R1425	0662057D10	RES, 27K
R1440	0662057A25	RES, 100
R1442	0662057B47	RES, 0
R1443	0662057A49	RES, 1K
R1444	0662057A33	RES, 220
R1445	0662057A68	RES, 6.2K
R1447	0662057B47	RES, 0
R1449	0611079A64	RES, 390
R1450	0683962T71	RES, 820
R1453-		
R1455	0662057K31	RES, 180
R1457	0662057K01	RES, 10
R1458	0611079A64	RES, 390
R1459	0611079A64	RES, 390
R1460	0680106R01	RES, 0.1
R1463	0662057A75	RES, 12K

Circuit Ref	Motorola Part No.	Description
R1464	0662057A61	RES, 3.3K
R1465	0662057A61	RES, 3.3K
R1469	0662057C01	RES, 0
R1472	0662057A73	RES, 10K
R1473-		
R1476	0680194M01	RES, 10
R1477	0662057A61	RES, 3.3K
R1478	0662057A73	RES, 10K
R1479	0662057A61	RES, 3.3K
R1480	0662057D10	RES, 27K
R1482	0662057B47	RES, 0
R1483	0662057A34	RES, 240
R1484	0662057A49	RES, 1K
R1501	0662057A45	RES, 680
R1502	0662057C67	RES, 470
R1503	0662057A61	RES, 3.3K
R1504	0662057A73	RES, 10K
R1505	0662057A69	RES, 6.8K
R1506	0662057A87	RES, 39K
R1507	0662057A49	RES, 1K
R1508	0662057R17	RES, 43.2
R1509	0662057P95	RES, 100K
R1511	0662057P95	RES, 100K
R1513	0662057C76	RES, 1.1K
R1514	0662057A97	RES, 100K
R1515	0662057A49	RES, 1K
R1516	0662057C71	RES, 680
R1517	0662057C71	RES, 680
R1518	0662057A61	RES, 3.3K
R1519	0662057C71	RES, 680
R1522	0662057A73	RES, 10K
R1524	0662057C71	RES, 680
R1526	0662057A97	RES, 100K
R1527	0662057A97	RES, 100K
R1528	0662057A80	RES, 20K
R1532	0662057A95	RES, 82K
R1533	0662057A73	RES, 10K
R1535	0662057R16	RES, 39.2
R1539	0662057A53	RES, 1.5K
R1540	0662057A53	RES, 1.5K
R1542	0662057A49	RES, 1K
R1543	0662057A49	RES, 1K
R1544	0662057A90	RES, 51K
R1545	0662057A65	RES, 4.7K
R1601	0662057A73	RES, 10K
R1602	0662057A65	RES, 4.7K
R1604	0662057A49	RES, 1K
R1605	0662057B10	RES, 330K
R1606	0662057B02	RES, 150K
R1607	0662057B19	RES, 750K
R1608	0662057A57	RES, 2.2K

Circuit Ref	Motorola Part No.	Description
R1609	0662057A73	RES, 10K
R1610	0662057A82	RES, 24K
R1611	0662057A49	RES, 1K
R1612	0662057A25	RES, 100
R1613	0662057A59	RES, 2.7K
R1614	0662057A49	RES, 1K
R1615	0662057A49	RES, 1K
R1616	0662057A33	RES, 220
R1617	0662057A57	RES, 2.2K
R1620	0662057A51	RES, 1.2K
R1621	0662057A68	RES, 6.2K
R1622	0662057A49	RES, 1K
R1626	0662057A18	RES, 51
R1627	0662057A73	RES, 10K
R1628	0662057A55	RES, 1.8K
R1629	0662057A67	RES, 5.6K
R1630	0662057A53	RES, 1.5K
R1631	0662057A18	RES, 51
R1632	0662057A82	RES, 24K
R1635	0662057B47	RES, 0
R1636	0662057A42	RES, 510
R1637	0662057A59	RES, 2.7K
R1638	0662057A55	RES, 1.8K
SH1302	2680473U01	VCO SHIELD
U1001	4809939C05	UMC5N
U1051	5108278X01	MIXER
U1101	5102463J52	MC74HC4066
U1102	5102463J52	MC74HC4066
U1103	5186144B01	SA616
U1201	5185963A27	FRACN SYNTHESIZER IC
U1250	5185963A33	LP2951
U1377	4809939C05	UMC5N
U1378	4809939C05	UMC5N
U1401	5185130C65	LD MOS PREDRIVER IC
U1402	5113818A03	MC33072
U1501	5185963A15	LM50
U1502	5109731C21	LM6142BIM
U1503	5185765B26	POWER CONTROL IC
U1601	5180929W01	MC1350
Y1101	4880908W08	CRYSTAL, 10.245 MHZ
Y1102	9186145B02	DISCRIMINATOR, 455KHZ
Y1201	4880114R04	CRYSTAL, 16.8 MHZ

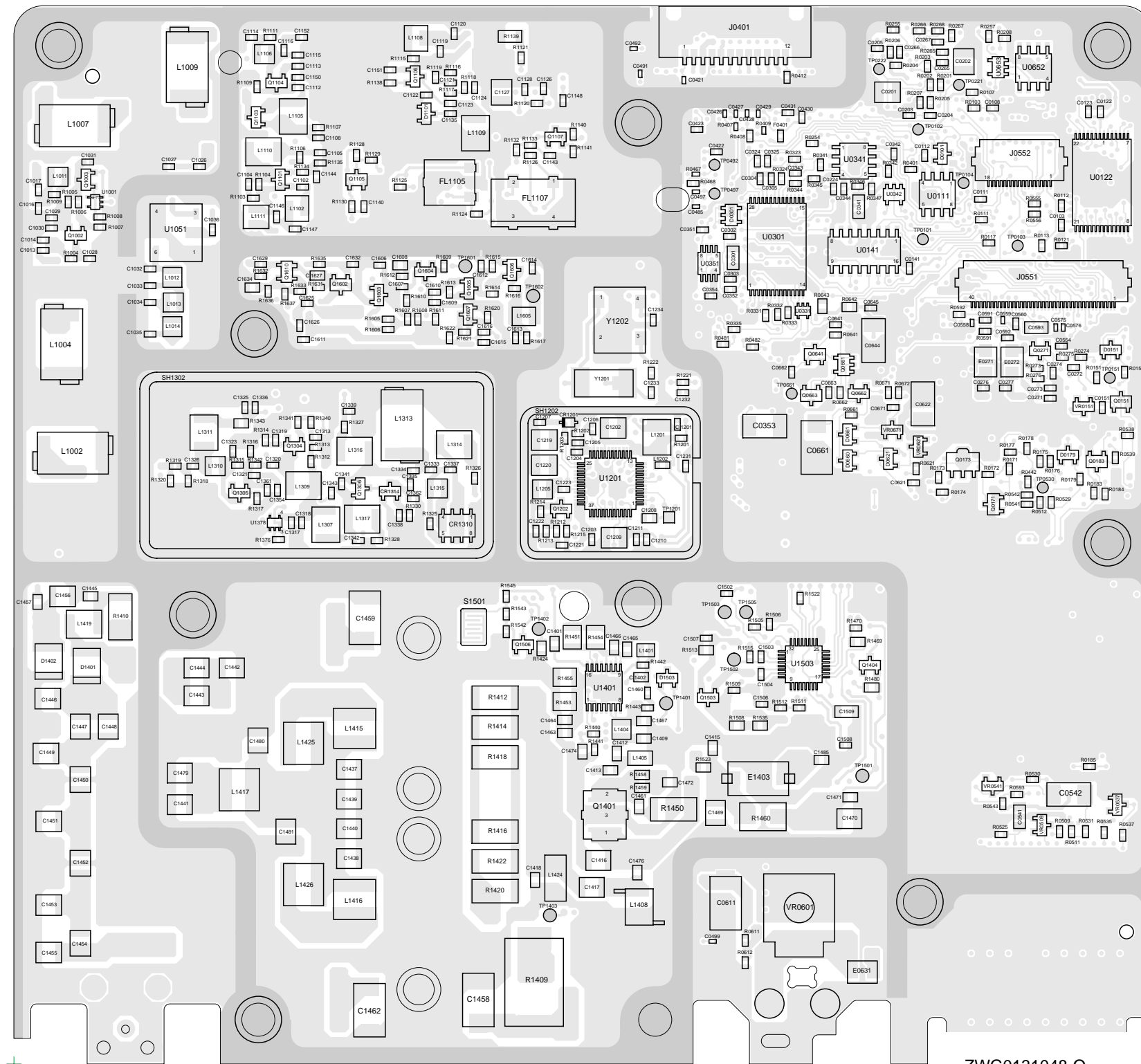
\* Motorola Depot Servicing only  
 Reference designators with an asterisk indicate components which are not fieldreplaceable because they need to be calibrated with specialized factory equipment after installation. Radios in which these parts have been replaced in the field will be off frequency at temperature extremes.

### 7.0 LB Range3, 25-60W PCB 8486908Z04 / Schematics



ZWG0131047-O

**LB3 (42.0-50.0 MHz)  
8486908Z04 Top Side**



**LB3 (42.0-50.0 MHz) 8486908Z04 Bot Side**

ZWG0131048-O

## 7.1 LB3 PCB 8485908z04 Parts List

Circuit Ref	Motorola Part No.	Description
C1002	2113741F49	CAP, .01uF
C1003	2113740F50	CAP, 91pF
C1004	2113740F57	CAP, 180pF
C1006	2113740F45	CAP, 56pF
C1007	2113740F57	CAP, 180pF
C1008	2113740F69	CAP, 560pF
C1009	2113740F57	CAP, 180pF
C1010	2113740F42	CAP, 43pF
C1011	2113740F48	CAP, 75pF
C1012	2113740F60	CAP, 240pF
C1013	2113741F21	CAP, 680pF
C1014	2113740F54	CAP, 130pF
C1015	2113741F49	CAP, .01uF
C1016	2113740F54	CAP, 130pF
C1017	2113740F67	CAP, 470pF
C1019	2113740F63	CAP, 330pF
C1020	2113740F56	CAP, 160pF
C1021	2113740F65	CAP, 390pF
C1022	2113740F55	CAP, 150pF
C1023	2113740F65	CAP, 390pF
C1024	2113740F56	CAP, 160pF
C1025	2113740F62	CAP, 300pF
C1026	2113741F25	CAP, 1000pF
C1027	2113740F52	CAP, 110pF
C1028	2113741F49	CAP, .01uF
C1029	2113741F49	CAP, .01uF
C1030	2113743E20	CAP, 0.1uF
C1031	2113743E20	CAP, 0.1uF
C1032	2113740F46	CAP, 62pF
C1033	2113740F47	CAP, 68pF
C1034	2113740F48	CAP, 75pF
C1035	2113740F44	CAP, 51pF
C1036	2113743E20	CAP, 0.1uF
C1101	2113740F53	CAP, 120pF
C1102	2113740F50	CAP, 91pF
C1103	2113740F58	CAP, 200pF
C1104	2113743E20	CAP, 0.1uF
C1105	2113743E20	CAP, 0.1uF
C1106	2113743E20	CAP, 0.1uF
C1107	2113740F49	CAP, 82pF
C1108	2113743E20	CAP, 0.1uF
C1109	2113740F40	CAP, 36pF
C1111	2113740L03	CAP, 2.4pF
C1112	2113740F40	CAP, 36pF
C1113	2113743E20	CAP, 0.1uF
C1114	2113743E20	CAP, 0.1uF
C1115	2113740F53	CAP, 120pF
C1116	2113740F41	CAP, 39pF
C1119	2113743E20	CAP, 0.1uF
C1123	2113740F39	CAP, 33pF

Circuit Ref	Motorola Part No.	Description
C1124	2113743E20	CAP, 0.1uF
C1125	2113743E11	CAP, .039uF
C1126	2113743E20	CAP, 0.1uF
C1127	2311049A57	CAP, 10uF
C1128	2113743E20	CAP, 0.1uF
C1129	2113740F35	CAP, 22pF
C1130	2113740F47	CAP, 68pF
C1133-		
C1136	2113743E20	CAP, 0.1uF
C1137	2113740F53	CAP, 120pF
C1138	2113743E20	CAP, 0.1uF
C1139	2113741F49	CAP, .01uF
C1140	2113741F49	CAP, .01uF
C1141-		
C1144	2113743E20	CAP, 0.1uF
C1145	2113741F41	CAP, 4700pF
C1146	2113740F49	CAP, 82pF
C1147	2113740F65	CAP, 390pF
C1148	2113743E20	CAP, 0.1uF
C1149	2113740F53	CAP, 120pF
C1150	2113740F54	CAP, 130pF
C1201	2113743E20	CAP, 0.1uF
C1202	2311049J11	CAP, 4.7uF
C1203	2113741F49	CAP, .01uF
C1204	2113740F59	CAP, 220pF
C1206	2113740L37	CAP, 62pF
C1207	2113740F07	CAP, 1.5pF
C1209	2311049A57	CAP, 10uF
C1210	2113743E20	CAP, 0.1uF
C1211	2113741F49	CAP, .01uF
C1212	2311049A07	CAP, 1uF
C1213	2113743A23	CAP, 0.22uF
C1214	2113743E10	CAP, .033uF
C1215	2113740C37	CAP, 6800pF
C1216	2311049J11	CAP, 4.7uF
C1217	2113741F49	CAP, .01uF
C1218	2113743E20	CAP, 0.1uF
C1219	2311049J11	CAP, 4.7uF
C1220	2311049J11	CAP, 4.7uF
C1222	2113740F40	CAP, 36pF
C1223	2113741F49	CAP, .01uF
C1224	2113740F49	CAP, 82pF
C1225	2113741F49	CAP, .01uF
C1227	2113741F49	CAP, .01uF
C1229	2113741F49	CAP, .01uF
C1230	2113741F49	CAP, .01uF
C1231	2113741F49	CAP, .01uF
C1250	2311049A09	CAP, 2.2uF
C1251	2113743E20	CAP, 0.1uF
C1252	2113743E05	CAP, .018uF
C1253	2311049J11	CAP, 4.7uF

Circuit Ref	Motorola Part No.	Description
C1254	2113741F49	CAP, .01uF
C1306	2113740L23	CAP, 16pF
C1307	2113740L21	CAP, 13pF
C1308	2113740F19	CAP, 4.7pF
C1311	2113741F49	CAP, .01uF
C1312	2113741F49	CAP, .01uF
C1313	2113741F49	CAP, .01uF
C1314	2113740L21	CAP, 13pF
C1315	2113740L21	CAP, 13pF
C1316	2113740F15	CAP, 3.3pF
C1317	2113743E20	CAP, 0.1uF
C1318	2113741F49	CAP, .01uF
C1319	2113741F49	CAP, .01uF
C1320	2113741F49	CAP, .01uF
C1321	2113740F17	CAP, 3.9pF
C1323	2113740L21	CAP, 13pF
C1325	2113741F49	CAP, .01uF
C1326	2113741F49	CAP, .01uF
C1333	2113740L26	CAP, 22pF
C1334	2113740L31	CAP, 36pF
C1335	2113740F19	CAP, 4.7pF
C1336	2113743E20	CAP, 0.1uF
C1338	2113741F49	CAP, .01uF
C1339	2113741F49	CAP, .01uF
C1340	2113741F49	CAP, .01uF
C1341	2113740L31	CAP, 36pF
C1342	2113740L31	CAP, 36pF
C1343	2113740F15	CAP, 3.3pF
C1344	2113741F49	CAP, .01uF
C1345	2113743E20	CAP, 0.1uF
C1346	2113741F49	CAP, .01uF
C1347	2113741F49	CAP, .01uF
C1348	2113740F17	CAP, 3.9pF
C1349	2113743E20	CAP, 0.1uF
C1350	2113740F31	CAP, 15pF
C1351	2113741F49	CAP, .01uF
C1352	2113741F49	CAP, .01uF
C1401	2113741A45	CAP, .01uF
C1402	2113741A45	CAP, .01uF
C1404	2113741A45	CAP, .01uF
C1405	2113741A45	CAP, .01uF
C1407	2113741A45	CAP, .01uF
C1410	2113741M69	CAP, 0.1uF
C1412	2113740A65	CAP, 270pF
C1413	2113741A45	CAP, .01uF
C1414	2113741A45	CAP, .01uF
C1415	2113741M69	CAP, 0.1uF
C1417	2111078B58	CAP, 430pF
C1419	2113741A45	CAP, .01uF
C1420	2113741A45	CAP, .01uF
C1423	2113741A45	CAP, .01uF

Circuit Ref	Motorola Part No.	Description
C1424	2113741A45	CAP, .01uF
C1425	2113741W01	CAP, 1uF
C1426	2113741W01	CAP, 1uF
C1427-		
C1430	2111078B52	CAP, 240pF
C1431	2113741A45	CAP, .01uF
C1432	2113741W01	CAP, 1uF
C1433	2113741W01	CAP, 1uF
C1434	2113741A45	CAP, .01uF
C1435	2113741W01	CAP, 1uF
C1436	2113741A45	CAP, .01uF
C1437	2111078B59	CAP, 470pF
C1438	2111078B59	CAP, 470pF
C1439	2111078B59	CAP, 470pF
C1440	2111078B59	CAP, 470pF
C1441	2111078B51	CAP, 220pF
C1442	2111078B44	CAP, 120pF
C1443	2111078B45	CAP, 130pF
C1444	2111078B45	CAP, 130pF
C1446	2180060M28	CAP, 24pF
C1447	2111078B59	CAP, 470pF
C1448	2111078B59	CAP, 470pF
C1449	2180060M44	CAP, 110pF
C1450	2180060M05	CAP, 3pF
C1451	2180060M49	CAP, 180pF
C1452	2180060M28	CAP, 24pF
C1453	2180060M43	CAP, 100pF
C1454	2180060M31	CAP, 33pF
C1455	2180060M24	CAP, 16pF
C1456	2180060M36	CAP, 51pF
C1457	2113741A45	CAP, .01uF
C1458	2311049C01	CAP, 10uF
C1459	2311049C01	CAP, 10uF
C1460	2113743E20	CAP, 0.1uF
C1461	2113741A45	CAP, .01uF
C1462	2311049C01	CAP, 10uF
C1463	2113928E01	CAP, 1uF
C1464	2113741A45	CAP, .01uF
C1465	2113928E01	CAP, 1uF
C1466	2113741A45	CAP, .01uF
C1467	2113740A51	CAP, 68pF
C1468	2113741A45	CAP, .01uF
C1469	2113741W01	CAP, 1uF
C1470	2113741W01	CAP, 1uF
C1471	2113741A45	CAP, .01uF
C1472	2113741M69	CAP, 0.1uF
C1473	2113741M69	CAP, 0.1uF
C1474	2113741A45	CAP, .01uF
C1475	2113741W01	CAP, 1uF
C1476	2113741M69	CAP, 0.1uF
C1477	2111078B54	CAP, 300pF



Circuit Ref	Motorola Part No.	Description
C1478	2111078B54	CAP, 300pF
C1479	2111078B51	CAP, 220pF
C1480	2111078B40	CAP, 82pF
C1481	2111078B40	CAP, 82pF
C1482	2113928E01	CAP, 1uF
C1484	2113741F33	CAP, 2200pF
C1485	2113741A45	CAP, .01uF
C1486	2113741M69	CAP, 0.1uF
C1501-		
C1504	2113741F33	CAP, 2200pF
C1505	2113741F25	CAP, 1000pF
C1506	2113741F25	CAP, 1000pF
C1507	2113741F33	CAP, 2200pF
C1508	2113741F33	CAP, 2200pF
C1509	2311049A07	CAP, 1uF
C1510-		
C1512	2113741F33	CAP, 2200pF
C1523	2113743E20	CAP, 0.1uF
C1525	2113743E20	CAP, 0.1uF
C1526	2113740F51	CAP, 100pF
C1527	2113741A45	CAP, .01uF
C1528	2113741A45	CAP, .01uF
C1530	2113741A45	CAP, .01uF
C1532	2113743T19	CAP, 10uF
C1601	2113743E20	CAP, 0.1uF
C1602	2113740F59	CAP, 220pF
C1603	2113743A23	CAP, 0.22uF
C1604	2113743A23	CAP, 0.22uF
C1605	2311049A57	CAP, 10uF
C1606	2113740F59	CAP, 220pF
C1607	2113740F51	CAP, 100pF
C1608	2113743A23	CAP, 0.22uF
C1609	2113740F34	CAP, 20pF
C1610	2113741F41	CAP, 4700pF
C1611	2113743E20	CAP, 0.1uF
C1612	2113741F33	CAP, 2200pF
C1613	2113740F54	CAP, 130pF
C1614	2113741F24	CAP, 910pF
C1616	2113740F40	CAP, 36pF
C1618	2113743A23	CAP, 0.22uF
C1619	2311049A57	CAP, 10uF
C1620	2113741F25	CAP, 1000pF
C1622	2113743E20	CAP, 0.1uF
C1623	2113740F60	CAP, 240pF
C1624	2113741F37	CAP, 3300pF
C1625	2113740F29	CAP, 12pF
C1626	2113740F59	CAP, 220pF
C1627	2113743A23	CAP, 0.22uF
C1628	2113743E20	CAP, 0.1uF
C1629	2113740F39	CAP, 33pF
C1631	2311049A57	CAP, 10uF

Circuit Ref	Motorola Part No.	Description
C1632	2113743E20	CAP, 0.1uF
C1633	2113743A23	CAP, 0.22uF
C1634	2113741A45	CAP, .01uF
CR1201	4862824C03	1SV232
CR1202	4802233J09	IMN10
CR1302	4805649Q14	HN1V02H
CR1306	4880154K03	MMBD353
CR1310	4805649Q14	HN1V02H
CR1314	4880154K03	MMBD353
D1001	4880154K03	MMBD353
D1101	4880154K03	MMBD353
D1401	4808379X02	MA4P1450
D1402	4808379X02	MA4P1450
D1501	4813825A05	MMBD301
D1502	4813833C02	MMBD6100
D1503	4813833C02	MMBD6100
D1601	4880154K03	MMBD353
E1401	2408380X02	FERRITE BEAD
E1403	2408380X02	FERRITE BEAD
FL1101	9180656U03	CFEC10_7MG1
FL1102	9180022M09	CRYSTAL FILTER, 10.7 MHZ
FL1104	9180468V04	CFUCJ455F
FL1105	9180468V05	CFUCJ455E
FL1106	9180469V04	CFWC455F
FL1107	9180469V05	CFWC455E
J1401	0986166B02	MINI-U ANTENNA CONNECT
L1001-		
L1010	2408382A11	IDCTR, 130nH
L1011	2462587N68	IDCTR, 1uH
L1012	2462587N57	IDCTR, 220nH
L1013	2462587N59	IDCTR, 330nH
L1014	2462587N57	IDCTR, 220nH
L1101	2462587N33	IDCTR, 1.8uH
L1102	2408383X07	IDCTR, 3.3uH
L1103	2462587N33	IDCTR, 1.8uH
L1104	2480289M10	IDCTR, 6.8uH
L1105	2480289M10	IDCTR, 6.8uH
L1106	2462587N33	IDCTR, 1.8uH
L1107	2480289M09	IDCTR, 5.6uH
L1110	2480289M18	IDCTR, 33uH
L1111	2408383X07	IDCTR, 3.3uH
L1112	2483411T35	IDCTR, 6.8uH
L1201	2480289M17	IDCTR, 27uH
L1202	2462587Q20	IDCTR, 2.2uH
L1205	2462587N59	IDCTR, 330nH
L1206	2480289M17	IDCTR, 27uH
L1302	2408382D19	IDCTR, 491nH
L1303	2480289M15	IDCTR, 18uH
L1304	2462587N66	IDCTR, 820nH
L1305	2480289M15	IDCTR, 18uH
L1306	2480289M15	IDCTR, 18uH

Circuit Ref	Motorola Part No.	Description
L1307	2480289M15	IDCTR, 18uH
L1309	2480289M15	IDCTR, 18uH
L1310	2462587N60	IDCTR, 390nH
L1311	2480289M15	IDCTR, 18uH
L1313	2408382D19	IDCTR, 491nH
L1314	2480289M17	IDCTR, 27uH
L1315	2462587N66	IDCTR, 820nH
L1316	2480289M17	IDCTR, 27uH
L1317	2480289M17	IDCTR, 27uH
L1318	2480289M17	IDCTR, 27uH
L1321	2462587N58	IDCTR, 270nH
L1322	2480289M17	IDCTR, 27uH
L1324	2480289M17	IDCTR, 27uH
L1402	2462587U09	IDCTR, 4.7uH
L1403	2462587U09	IDCTR, 4.7uH
L1404	2462587N56	IDCTR, 180nH
L1406	2408381X36	IDCTR, 250.974nH
L1408	2408384A10	IDCTR, 120nH
L1413	2408381X17	IDCTR, 88.470nH
L1414	2408381X17	IDCTR, 88.470nH
L1415-		
L1417	2460591X01	IDCTR, 18nH
L1418	2408381X12	IDCTR, 66.389nH
L1419	2480289M17	IDCTR, 27uH
L1420	2408381X29	IDCTR, 172.891nH
L1421	2408381X25	IDCTR, 137.876nH
L1422	2408381X22	IDCTR, 115.581nH
L1423	2408381X16	IDCTR, 81.930nH
L1425	2460591X01	IDCTR, 18nH
L1426	2460591X01	IDCTR, 18nH
L1601	2483411T45	IDCTR, 47uH
L1602	2483411T45	IDCTR, 47uH
L1603	2483411T73	IDCTR, 1uH
L1604	2483411T45	IDCTR, 47uH
L1605	2483411T41	IDCTR, 22uH
L1606	2462587T30	IDCTR, 1uH
L1607	2462587T30	IDCTR, 1uH
M1401	2686201B01	HEATSINK
Q1001	4880182D44	MMBR951
Q1002	4813824A17	MMBT3906
Q1003	4813824A17	MMBT3906
Q1101	4813827A07	MMBR941
Q1102	4813823A05	MMBFU310L
Q1103	4813823A05	MMBFU310L
Q1104	4813823A05	MMBFU310L
Q1105	4880048M01	DTC144EKA
Q1106	4813827A07	MMBR941
Q1107	4880214G02	MMBT3904
Q1201	4813824A17	MMBT3906
Q1202	4880182D44	MMBR951
Q1303	4884235R02	MMBFU310

Circuit Ref	Motorola Part No.	Description
Q1304	4880182D44	MMBR951
Q1305	4880182D44	MMBR951
Q1306	4884235R02	MMBFU310
Q1307	4880182D44	MMBR951
Q1308	4880182D44	MMBR951
Q1401	4886212B01	MRF1518
Q1402	4886136B01	MRF1550
Q1403	4886136B01	MRF1550
Q1501	4880141L03	BCW68G
Q1502-		
Q1504	4880214G02	MMBT3904
Q1505	4813824A17	MMBT3906
Q1506	4880214G02	MMBT3904
Q1601	4813824A17	MMBT3906
Q1602	4880048M01	DTC144EKA
Q1603-		
Q1605	4880214G02	MMBT3904
Q1606	4813824A17	MMBT3906
Q1607	4880214G02	MMBT3904
Q1609	4813824A17	MMBT3906
Q1610	4805585Q17	NE25139
R1001	0662057A05	RES, 15
R1002	0662057A05	RES, 15
R1003	0662057A41	RES, 470
R1004	0662057A59	RES, 2.7K
R1005	0662057A31	RES, 180
R1006	0662057A73	RES, 10K
R1007	0662057A71	RES, 8.2K
R1008	0662057A65	RES, 4.7K
R1101	0662057A18	RES, 51
R1102	0662057A78	RES, 16K
R1103	0662057A39	RES, 390
R1104	0662057A71	RES, 8.2K
R1106	0662057A25	RES, 100
R1107	0662057A68	RES, 6.2K
R1108	0662057A61	RES, 3.3K
R1109	0662057A37	RES, 330
R1110	0662057A25	RES, 100
R1111	0662057A17	RES, 47
R1113	0662057A64	RES, 4.3K
R1114	0662057A64	RES, 4.3K
R1115	0662057A75	RES, 12K
R1117	0662057A37	RES, 330
R1118	0662057A56	RES, 2K
R1119	0662057A83	RES, 27K
R1120	0662057A18	RES, 51
R1121	0662057A71	RES, 8.2K
R1122	0662057A73	RES, 10K
R1123	0662057A51	RES, 1.2K
R1128-		
R1130	0662057A73	RES, 10K

Circuit Ref	Motorola Part No.	Description	Circuit Ref	Motorola Part No.	Description	Circuit Ref	Motorola Part No.	Description	Circuit Ref	Motorola Part No.	Description
R1131	0662057A77	RES, 15K	R1333	0662057A37	RES, 330	R1473-			R1613	0662057A59	RES, 2.7K
R1132	0662057A58	RES, 2.4K	R1334	0662057A61	RES, 3.3K	R1476	0680194M01	RES, 10	R1614	0662057A49	RES, 1K
R1133	0662057A61	RES, 3.3K	R1335	0662057A47	RES, 820	R1477	0662057A61	RES, 3.3K	R1615	0662057A49	RES, 1K
R1134	0662057A05	RES, 15	R1336	0662057A09	RES, 22	R1478	0662057A73	RES, 10K	R1616	0662057A33	RES, 220
R1135	0662057A20	RES, 62	R1337	0662057A22	RES, 75	R1479	0662057A61	RES, 3.3K	R1617	0662057A57	RES, 2.2K
R1136	0662057A45	RES, 680	R1338	0662057A27	RES, 120	R1480	0662057D10	RES, 27K	R1620	0662057A51	RES, 1.2K
R1137	0662057A75	RES, 12K	R1339	0662057A22	RES, 75	R1482	0662057B47	RES, 0	R1621	0662057A68	RES, 6.2K
R1138	0662057A01	RES, 10	R1340	0662057A49	RES, 1K	R1483	0662057A34	RES, 240	R1622	0662057A49	RES, 1K
R1139	0611077A12	RES, 2.7	R1341	0662057A25	RES, 100	R1484	0662057A49	RES, 1K	R1626	0662057A18	RES, 51
R1140	0662057A39	RES, 390	R1342	0662057A25	RES, 100	R1501	0662057A45	RES, 680	R1627	0662057A73	RES, 10K
R1141	0662057A55	RES, 1.8K	R1343	0662057C55	RES, 150	R1502	0662057C67	RES, 470	R1628	0662057A55	RES, 1.8K
R1201	0662057B47	RES, 0	R1344	0662057A49	RES, 1K	R1503	0662057A61	RES, 3.3K	R1629	0662057A67	RES, 5.6K
R1203	0662057B02	RES, 150K	R1345	0662057A25	RES, 100	R1504	0662057A73	RES, 10K	R1630	0662057A53	RES, 1.5K
R1204	0662057B47	RES, 0	R1346	0662057A25	RES, 100	R1505	0662057A69	RES, 6.8K	R1631	0662057A18	RES, 51
R1205	0662057A45	RES, 680	R1347	0662057C55	RES, 150	R1506	0662057A87	RES, 39K	R1632	0662057A82	RES, 24K
R1206	0662057A41	RES, 470	R1376	0662057A65	RES, 4.7K	R1507	0662057A49	RES, 1K	R1635	0662057B47	RES, 0
R1208	0662057A18	RES, 51	R1402	0611079A64	RES, 390	R1508	0662057R19	RES, 100	R1636	0662057A42	RES, 510
R1209	0662057A61	RES, 3.3K	R1404	0680194M18	RES, 51	R1509	0662057P95	RES, 100K	R1637	0662057A59	RES, 2.7K
R1210	0662057A33	RES, 220	R1405	0680194M18	RES, 51	R1511	0662057P95	RES, 100K	R1638	0662057A55	RES, 1.8K
R1211	0662057B14	RES, 470K	R1406	0662057A73	RES, 10K	R1513	0662057C76	RES, 1.1K	SH1302	2680473U01	VCO SHIELD
R1212	0662057A25	RES, 100	R1407	0662057A73	RES, 10K	R1514	0662057A97	RES, 100K	U1001	4809939C05	UMC5N
R1213	0662057A45	RES, 680	R1409	0682089V01	RES, .01	R1515	0662057A49	RES, 1K	U1051	5108278X01	MIXER
R1214	0662057A54	RES, 1.6K	R1410	0683962T52	RES, 130	R1516	0662057C71	RES, 680	U1101	5102463J52	MC74HC4066
R1215	0662057A21	RES, 68	R1411	0662057C99	RES, 10K	R1517	0662057C71	RES, 680	U1102	5102463J52	MC74HC4066
R1216	0662057A18	RES, 51	R1413	0680194M01	RES, 10	R1518	0662057A61	RES, 3.3K	U1103	5186144B01	SA616
R1217	0662057A25	RES, 100	R1414	0680194M01	RES, 10	R1519	0662057C71	RES, 680	U1201	5185963A27	FRACN SYNTHESIZER IC
R1218	0662057A17	RES, 47	R1416-			R1522	0662057A73	RES, 10K	U1250	5185963A33	LP2951
R1219	0662057A17	RES, 47	R1423	0680194M01	RES, 10	R1524	0662057C71	RES, 680	U1377	4809939C05	UMC5N
R1220	0662057A17	RES, 47	R1424	0662057D10	RES, 27K	R1526	0662057A97	RES, 100K	U1378	4809939C05	UMC5N
R1221	0662057B47	RES, 0	R1425	0662057D10	RES, 27K	R1527	0662057A97	RES, 100K	U1401	5185130C65	POWER CONTROL IC
R1306	0662057B47	RES, 0	R1440	0662057A25	RES, 100	R1528	0662057A80	RES, 20K	U1402	5113818A03	MC33072
R1307	0662057A19	RES, 56	R1442	0662057A25	RES, 100	R1532	0662057A95	RES, 82K	U1501	5185963A15	LM50
R1308	0662057A19	RES, 56	R1443	0662057A49	RES, 1K	R1533	0662057A73	RES, 10K	U1502	5109731C21	LM6142BIM
R1309	0662057A41	RES, 470	R1444	0662057A33	RES, 220	R1535	0662057C01	RES, 0	U1503	5185765B26	LDMOS PREDRIVER IC
R1311	0662057A73	RES, 10K	R1445	0662057A68	RES, 6.2K	R1537	0662057A90	RES, 51K	U1601	5180929W01	MC1350
R1312	0662057A51	RES, 1.2K	R1447	0662057B47	RES, 0	R1541	0662057A68	RES, 6.2K	Y1101	4880908W08	CRYSTAL, 10.245 MHZ
R1313	0662057A51	RES, 1.2K	R1449	0611079A64	RES, 390	R1542	0662057A49	RES, 1K	Y1102	9186145B02	DISCRIMINATOR, 455 KHZ
R1314	0662057A37	RES, 330	R1450	0683962T71	RES, 820	R1543	0662057A49	RES, 1K	Y1201	4880114R04	CRYSTAL, 16.8 MHZ
R1315	0662057A61	RES, 3.3K	R1451	0662057K31	RES, 180	R1544	0662057A90	RES, 51K			
R1316	0662057A45	RES, 680	R1453	0662057K31	RES, 180	R1545	0662057A65	RES, 4.7K			
R1317	0662057A09	RES, 22	R1454	0662057K31	RES, 180	R1601	0662057A73	RES, 10K			
R1318	0662057A41	RES, 470	R1455	0662057K31	RES, 180	R1602	0662057A65	RES, 4.7K			
R1319	0662057A01	RES, 10	R1457	0662057K01	RES, 10	R1604	0662057A49	RES, 1K			
R1320	0662057A41	RES, 470	R1458	0611079A64	RES, 390	R1605	0662057B10	RES, 330K			
R1325	0662057B47	RES, 0	R1459	0611079A64	RES, 390	R1606	0662057B02	RES, 150K			
R1326	0662057A19	RES, 56	R1460	0680106R01	RES, 0.1	R1607	0662057B19	RES, 750K			
R1327	0662057A19	RES, 56	R1463	0662057A75	RES, 12K	R1608	0662057A57	RES, 2.2K			
R1328	0662057A41	RES, 470	R1464	0662057A61	RES, 3.3K	R1609	0662057A73	RES, 10K			
R1330	0662057A73	RES, 10K	R1465	0662057A61	RES, 3.3K	R1610	0662057A82	RES, 24K			
R1331	0662057A51	RES, 1.2K	R1469	0662057C01	RES, 0	R1611	0662057A49	RES, 1K			
R1332	0662057A51	RES, 1.2K	R1472	0662057A73	RES, 10K	R1612	0662057A25	RES, 100			

\* Motorola Depot Servicing only  
Reference designators with an asterisk indicate components which are not fieldreplaceable because they need to be calibrated with specialized factory equipment after installation. Radios in which these parts have been replaced in the field will be off frequency at temperature extremes.